

ESTUN



ProNet

All Digital AC Servo Systems





ESTUN
埃斯顿自动技术有限公司

Corporate Information

As a national top AC servo system research, development and production base, Estun Automation is devoted to R&D, manufacturing and sales of high-end products in the realm of motion control. We are holding completely self-owned IPR technology of our AC servo systems which can be applied in CNC machine, textile machine, packing machine, printing machine, electronics manufacturing equipment, industrial robot, manipulator, wood-working machine, robotization production line, electro-hydraulic hybrid-driven and fully electrical injection moulding machine, etc. Now, Estun has established long-term strategic partnership with many prestigious machine manufacturers and becomes their first cooperation option for motion control products in both domestic and international market.

Service Network

Hotline

400-025-3336



First-class service guarantee

- Headquartered in Nanjing with rich experience in product design and manufacturing process control, possessing a first-class modern production base
- Offices in Guangdong, Fujian, Zhejiang, Jiangsu, Shandong, Hubei, Chongqing, Anhui, Shanxi, and Liaoning
- 20 nationwide warranty stations and 2 international repair centers in Poland and USA
- International subsidiaries in Turkey and India
- More than 80 authorized domestic and international agencies and system integrators

Professional sales and service teams offer a quick response to customers' needs.

Family of brands

- Estun Automation Co., Ltd. (Control system)
- Estun Automation Technology Co., Ltd. (Motion control)
- Estun Robotics Co., Ltd. (Industrial robots)
- Alpha Electro-hydraulic Technology Co., Ltd. (Electro-hydraulic servo drive and control)

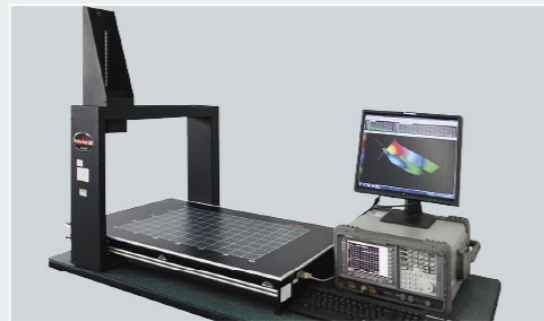
Platform Strength

As a manufacturer of AC servo systems and motion control systems, Estun Automation Technology Co., Ltd. owns advanced R&D platform and testing equipment. The platform and equipment have offered solid foundation for further technological research and development in AC servo products and motion control systems and it created a good environment to build a high level R&D team. As one of the few domestic manufactures with above mentioned R&D capabilities and testing equipments, Estun becomes the most competitive company in the field of AC servo system and motion control total solutions.

Technological R&D



RMxprt Finite element analysis software Maxwell 2D/3D, (ANSYS company, USA)



Whole set of EMI scanner (Detectus AB company, Sweden) & Anti-interference developing system (Agilent company, USA)



The world's most advanced servo drive and motor testing system and analysis software (MAGTROL company, Switzerland)



The latest multi-function and high precision electric power analyzer for AC servo system (Newtons4th Ltd,UK; YOKOGAWA, Japan)

Production Equipment



SMT Production Line



Servo Drive Assembling Line



Servo Motor Production Line



Servo Motor Testing System



Automatic Laser Welding



Automatic Wiring

General Introduction

ProNet Series AC Servo System

Features



- Various models, wide power range : 50W~22kW
- Multiple feedback options : 17bits / 20bits serials encoder, 2500P/R wire-saving incremental encoder, resolver
- Power supply: single phase 100VAC, single phase/three phase 200VAC, three phase 400VAC
- Various communication options: Modbus, CANopen, EtherCAT, POWERLINK, PROFIBUS
- Frequency response 1.6kHz
- Current feed-forward and acceleration feed-forward function
- Online real time load inertia inspecting and auto-tuning function
- Common DC Bus
- Low frequency vibration suppression function
- High performance under low rigid environment
- Dynamic electronic gear ratio switching function
- Homing function available under position control mode
- UL certified and CE certified

Typical Application

- Machine tools (Metal forming, CNC router, Laser cutting, Water jet, Wood processing)
- Textile machine (Warping machine, Warp knitting machine, Rapier loom, Air jet, Water jet machine, Quilter machine, Dyeing machine)
- Packing machine (Vertical packing machine, Pillow packing machine, Sealing packing machine, Liquid packing machine)
- Printing machine (Photogravure press, Lithographic press, Relief printing machine)
- Electronics manufacturing equipment (Sorting machine, Chip mounter, Winding machine, Die-cutting machine, Lithium battery production line)
- Industrial robot, manipulator
- Hybrid, Die-casting machine, Injection molding machine, Plastic extruding machine



ProNet Series

- Various voltage input: 100V, 200V, 400V
- Power supply: 50W~22kW
- Serial encoder / Resolver
- Standard: CANopen
Options: EtherCAT(build-in) / POWERLINK / PROFIBUS
- Used in high precision automation, high speed bus communication

ProNet-E Series

- Various voltage input: 100V, 200V, 400V
- Power supply: 50W~5kW
- Same dimension as ProNet series
- Standard: CANopen
- 2500P/R Wire-saving incremental encoder
- High reliability and cost-effective

Model Comparison Table

Servo Motor				Servo Drive (ProNet)				Servo Drive (ProNet-E)					
Series	Power (kW)	Voltage (VAC)	Model	Single-phase 100VAC	Single-phase 200VAC	Three-phase 200VAC	Three-phase 400VAC	Single-phase 100VAC	Single-phase 200VAC	Three-phase 200VAC	Three-phase 400VAC		
Medium Inertia	EMJ 3000r/min	0.05	200	EMJ-A5A						ProNet-A5A			
		0.1	200	EMJ-01A						ProNet-01A			
		0.2	100	EMJ-02B	ProNet-02B					ProNet-E-02B			
			200	EMJ-02A						ProNet-E-02A			
		0.4	100	EMJ-04B	ProNet-04B					ProNet-E-04B			
			200	EMJ-04A						ProNet-E-04A			
	0.75	100	EMJ-08B	ProNet-08B					ProNet-E-08B				
		200	EMJ-08A				ProNet-08A				ProNet-E-08A		
	EMG 2000r/min	1.0	200	EMJ-10A							ProNet-10A		
			400	EMG-10A							ProNet-10A		
		1.5	200	EMG-10D				ProNet-10D				ProNet-E-10D	
			400	EMG-15A				ProNet-15A				ProNet-E-15A	
		2.0	200	EMG-20A				ProNet-20A				ProNet-E-20A	
			400	EMG-20D				ProNet-20D				ProNet-E-20D	
		3.0	200	EMG-30A				ProNet-30A				ProNet-E-30A	
			400	EMG-30D				ProNet-30D				ProNet-E-30D	
		5.0	200	EMG-50A				ProNet-50A				ProNet-E-50A	
			400	EMG-50D				ProNet-50D				ProNet-E-50D	
		EML 1000r/min	1.0	200	EML-10A				ProNet-10A				ProNet-E-10A
				400	EML-10D				ProNet-10D				ProNet-E-10D
	2.0		200	EML-20A				ProNet-20A				ProNet-E-20A	
			400	EML-20D				ProNet-20D				ProNet-E-20D	
	3.0		200	EML-30A				ProNet-30A				ProNet-E-30A	
			400	EML-30D				ProNet-30D				ProNet-E-30D	
4.0	200	EML-40A				ProNet-50A				ProNet-E-50A			
	400	EML-40D				ProNet-50D				ProNet-E-50D			
EMB 1500r/min	7.5	400	EMB-75D								ProNet-70D ProNet-75D		
	11	400	EMB-1AD								ProNet-1AD		
	15	400	EMB-1ED								ProNet-1ED		
	22	400	EMB-2BD								ProNet-2BD		
	10.8	400	EMB-1ZD								ProNet-1AD		
	13.2	400	EMB-1CD								ProNet-1ED		
Low Inertia	EMB for low inertia 1800r/min	16.7	400	EMB-1FD							ProNet-1ED		
		21.4	400	EMB-2AD							ProNet-2BD		
		26.9	400	EMB-2FD									
		33	400	EMB-3CD									

Servo Motor			Servo Drive (ProNet-□□□□)				
Series	Power	Model	Single-phase 200VAC	Three-phase 200VAC	Three-phase 400VAC		
Low Inertia	Small EMS 3000r/min	0.2 kW	EMS-02	ProNet-02AU		Pronet-02DU	
		0.4 kW	EMS-04	ProNet-04AU		Pronet-04DU	
		0.75 kW	EMS-08		ProNet-08AU		Pronet-08DU
		1.0 kW	EMS-10		ProNet-10AU		ProNet-10DU
		1.5 kW	EMS-15		ProNet-15AU		ProNet-15DU
Medium EMS 3000r/min	2.0 kW	EMS-20				ProNet-20DU	
	2.5 kW	EMS-25				ProNet-25DU	
	3.0 kW	EMS-30				ProNet-30DU	
	4.0 kW	EMS-40				ProNet-40DU	
	5.0 kW	EMS-50				ProNet-50DU	

Servo Drive Specification

Specification Description

ProNet-10 **A** **M** **A-D**
 ProNet Servo Drive Rated Power Power Voltage Control Style Encoder Interface Extended Module

Sign	Spec.	Sign	Spec.	Sign	Spec.	Sign	Spec.	Sign	Spec.
A5	0.05kW	A	200VAC	M	Speed Control, Torque Control, Position Control	A	17 Bits Serial Encoder	-D	DP100
01	0.1kW	D	400VAC					-P	PL100
02	0.2kW	B	100VAC					-EC	integrated EC100
04	0.4kW			E	Speed Control, Torque Control, Position Control (Support Extended Module)	F	20 Bits Serial Encoder		
08	0.75kW								
10	1.0kW								
15	1.5kW								
20	2.0kW								
25	2.5kW							B	Resolver
30	3.0kW			U	Support STO				
40	4.0kW								
50	5.0kW								
70	7.0kW								
75	7.5kW								
1A	11kW								
1E	15kW								
2B	22kW								

Notes: ① ProNet-□□□□ Support AE100 module
 ② ProNet-04/10/20AEA-EUL have completed UL508C. File NO. is E365853

ProNet-E-10 **A**
 ProNet-E Servo Drive Rated Power Power Voltage

Sign	Spec.	Sign	Spec.
A5	0.05kW	A	200VAC
01	0.1kW	D	400VAC
02	0.2kW	B	100VAC
04	0.4kW		
08	0.75kW		
10	1.0kW		
15	1.5kW		
20	2.0kW		
30	3.0kW		
50	5.0kW		

Notes:
 ① ProNet-E is only equipped with wire-saving incremental encoder (2500P/R).
 ② ProNet-E does not support extended module.
 ③ ProNet-E-04/10/20AUL have completed UL508C. File NO. is E365853.



Ratings

Servo Drive Model	ProNet-	A5A	01A	02A	02B	04A	04B	08A	08B	10A	10D	15A	15D	20D	30D	50D	20A	30A	50A	70D	75D	1AD	1ED	2BD	
	ProNet-E	A5A	01A	02A	02B	04A	04B	08A	08B	10A	10D	15A	15D	20D	30D	50D	20A	30A	50A						
Applicable Servo Motors Model	EMJ-	A5	01	02	02B	04A	04B	08A	08B	10A	-	-	-	-	-	-	-	-	-	-	-	-	-	-	-
	EMG-	-	-	-	-	-	-	-	-	10A	10D	15A	15D	20D	30D	50D	20A	30A	50A	-	-	-	-	-	-
	EML-	-	-	-	-	-	-	-	-	10A	10D	-	-	20D	30D	50D	20A	30A	50A	-	-	-	-	-	-
	EMB-	-	-	-	-	-	-	-	-	-	-	-	-	-	-	-	-	-	-	-	75D	75D	1AD	1ED	2BD
Continuous Output Current(Arms)	1.0	1.1	1.4	2.7	2.8	5.8	4.0	8.2	6.0	3.2	9.0	5.0	6.4	9.0	15.0	12.0	18.0	28.0	18.0	18.0	28.0	38.0	55.0		
Max. Output Current(Arms)	3.0	3.3	4.2	8.1	8.4	15.1	12.0	24.6	18.0	9.6	28.0	15.0	19.2	27.0	45.0	42.0	56.0	84.0	48.0	48.0	65.0	100.0	128.0		
Main Input Power Supply Capacity(kVA)	0.2	0.3	0.5	0.5	0.9	0.9	1.3	1.3	1.8	1.8	2.5	2.8	3.5	5.0	8.2	3.5	4.5	7.5	12.0	12.0	18.0	22.0	32.0		
DC24V Power Supply Capacity(W)	-	-	-	-	-	-	-	-	-	30.0	-	30.0	30.0	45.0	45.0	-	-	-	45.0	-	-	-	-	-	

Servo Drive Model	ProNet-□□□□U-	02AU	02DU	04AU	04DU	08AU	08DU	10AU	10DU	15AU	15DU	20DU	25DU	30DU	40DU	50DU
	Applicable Servo Motors Model	EMS-	02A	02D	04A	04D	08A	08D	10A	10D	15A	15D	20D	25D	30D	40D
Continuous Output Current		1.9	0.95	3.2	1.6	5.4	2.7	5.4	2.7	9.2	4.6	6	7.2	8.8	12.4	13.6
Max. Output Current		6	3.0	9.9	48	16.8	8.1	17	8.5	28	14	20	25	28	38	42
Main Input Power Supply Capacity (Kva)		0.5	0.5	0.9	0.9	1.3	1.3	1.8	1.8	2.5	2.8	3.5	4.2	5	6.6	8.2
Main Input Power Supply Capacity (W)		-	50	-	50	-	50	-	50	-	50	75	75	75	75	


Specification

Items		ProNet/ProNet-E	ProNet-□□□□U	
Input Power Supply	Main Circuit	100V	Single-phase 100 to 120VAC 50/60Hz (0.2kW-0.75kW)	-
		200V	Single-phase 200 to 230VAC 50/60Hz (0.05kW-0.4kW)	Single-phase 200 to 230VAC 50/60Hz (0.2 kW-0.4kW)
			Three-phase 200 to 230VAC 50/60Hz (0.75kW-5.0kW)	Three-phase 200 to 230VAC 50/60Hz (0.75kW-1.5kW) (Support single-phase power supply)
		400V	Three-phase 380 to 440VAC 50/60Hz (1.0kW-22kW)	Three-phase 380 to 440VAC 50/60Hz (0.2kW-5kW)
	Control Circuit	100V	Single-phase 100 to 120VAC 50/60Hz (0.2kW-0.75kW)	-
		200V	Single-phase 200 to 230VAC 50/60Hz (0.05kW-5.0kW)	Single-phase 200 to 230VAC 50/60Hz (0.2 kW-1.5kW)
	400V	24VDC (1.0kW-7.0kW)	24VDC(0.2 kW-5kW)	
		Single-phase 380 to 440VAC 50/60Hz (7.5kW-22kW)		
Control Method		SVPWM Control		
Feedback		Serial Encoder: 131072P/R /1048576P/R Resolver Wire-saving Incremental Encoder: 2500P/R	Encoder: 20-bit serial incremental encoder Extend Encode: incremental encoder /incremental grating ruler (Only 200V series)	
Operating Conditions	Ambient / Storage Temperature	Ambient Temperature: 0 to +55°C, Storage Temperature: -25 to +85°C	Ambient Temperature: -20 to +55°C, Storage Temperature: -25~+55°C	
	Ambient / Storage Humidity	5%~95% (no condensation)		
	Elevation	1000m or less		
	Vibration / Impact Resistance	Vibration Resistance: 4.9m/s ² , Impact Resistance: 19.6m/s ²		
Configuration		Base-mounted		
Performance	Speed Control Range	1:5000	1:6000	
	Speed Regulation	Load Regulation	0 to 100% load: ±0.01% max. (at rated speed)	
		Voltage Regulation	Rated voltage, ±10%: 0% (at rated speed)	
		Temperature Regulation	25±25°C: ±0.1% max. (at rated speed)	
Torque Control	Analog Input	Reference Voltage	±10VDC at rated torque (variable setting range: ±0 to 10VDC) Max. input voltage: ±12V	
		Input Impedance	About 10MΩ min.	About 47Ω
	Circuit Time Constant	10μs	About 7μs	

Items		ProNet/ProNet-E	ProNet-□□□□	
Speed Control	Analog Input	Reference Voltage	±10VDC at rated torque (variable setting range: ±0 to 10VDC) Max. input voltage: ±12V	
		Input Impedance	About 10MΩ min. About 47Ω	
		Circuit Time Constant	10μs About 7μs	
	Set Speed Reference	Speed Selection	Speed 1 to 7 selection	
	Function	Soft Start Setting	0 to 10s (can be set individually for acceleration and deceleration)	
Position Control	Reference Pulse	Type	Sign+pulse train, CCW+CW pulse train, or 90° phase difference 2-phase pulse (phase A + phase B)	
		Form	Non-insulated line driver (+5V level), open collector	
		Frequency	x1 multiplier: 4Mpps x2 multiplier: 2Mpps x4 multiplier: 1Mpps Open collector: 200kpps Frequencies drop when the dutues have errors	
Set Position Reference	Position Setting	Can set 16 position reference		
I/O Signals	Encoder Output Pulses		Phase A, phaseB, phase C: line driver output The number of dividing pulse: Any setting ratio is available Phase A, Phase B, Phase C, line driver output The number of driving pulse: Any setting ratio is available(Only 200V series)	
	Sequence Input	Number of Channels	8 channels 8 channels(200V); 5 channels(400V)	
		Function	Signal allocations and positive/negative logics can be modified: Servo ON (/S-ON), P control (/P-CON), alarm reset (/ALM-RST), clear error pulse (/CLR), forward run prohibited (P-OT), reverse run prohibited (N-OT), forward torque limit (/P-CL), reverse torque limit (/N-CL)	
	Sequence Output	Number of Channels	4 channels 4 channels(200V); 3 channels(400V)	
Function		Servo alarm (ALM) Signal allocations and positive/negative logics can be modified: Positioning completion (/COIN), speed agree detection (/V-CMP), motor rotation detection (/TGON), servo ready (/S-RDY), torque limit detection (/CLT), brake interlock (/BK), encoder C pulse (/PGC), over travel signal (/OT)		
Others	Regenerative Processing Functions		0.75kW to 7.5kW: built-in regenerative resistor; 11kW to 22kW: External regenerative resistor 0.75kW to 5kW:built-in regenerative resistor	
	Protective Functions		Overcurrent, overvoltage, low voltage, overload, regeneration error, overspeed, etc.	
	Utility Functions		Alarm trace back, JOG operation, Inertia detections, etc.	
	Display Functions		CHARGE (red), POWER (green), 7-segment LEDx5 (Bulit-in digital operator function)	
	Communications		RS-485 communication port, MODBUS protocol ; CAN communication port, CANopen protocol; EtherCAT communication module, CiA402 protocol; POWERLINK communication module, CiA402 protocol; PROFIBUS communication module, PROFIdrive protocol. RS-485 communication port, use Mod-bus protocol. CAN communication port, use CANopen protocol (200V) Ethernet communication port, use CiA402 protocol (400V)	
	Safety Functions	Input	-	HWBB1、HWBB2: Power module base blockage signal
		Output	-	Ethernet communication port, use CiA402 protocol

Communication

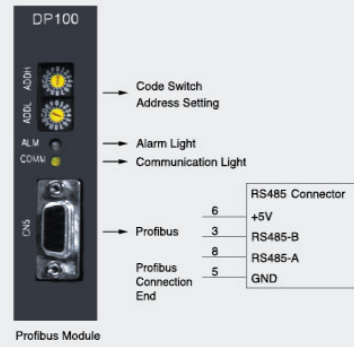
EtherCAT

- Integrated EtherCAT Module
- High communication speed
- Precise multiple axis synchronous control
- Revolution of traditional field bus control

Items	Specifications
Communication standard	IEC 61158 Type12, IEC 61800-7 CiA402 Drive Profile
Physical layer	100BASE-TX (IEEE802.3)
Bus connection	CN4 (RJ45): EtherCAT Signal IN CN5 (RJ45): EtherCAT Signal OUT
Cable	Class-5 twisted pair cable
Communication distance	Nod space: within 100 meters
SyncManager	SM0: output mailbox, SM1: input mailbox SM2: output proces data, SM3: input process data
FMMU	FMMU0: mapping to process data (RxPDO) Receiving area FMMU1: mapping to process data (TxPDO) Transmitting area FMMU2: mapping to mailbox status
EtherCAT Commands (Data Link Layer)	APRD, FPRD, BRD, LRD, APWR, FPWR, BWR, LWR, ARMW, FRMW Note: APRW, FPRW, BRW, LRW Commands are not supported
PDO data	Dynamic PDO mapping
Mailbox (CoE)	Emergency event, SDO request, response, SDO information Note: do not support TxPDO/RxPDO and remote TxPDO/RxPDO
Differential clock (DC)	Free-run, DC mode (set active in confi gur ation) Supported DC period : 250us - 8ms
SII	256 bytes (read - only)
LED Indicator	EtherCAT System indicator (SYS) x1 EtherCAT Run indicator (RUN) x1 EtherCAT Error indicator (ERR) x1
CiA402 Drive Profile	Homing mode, Profile position mode, Interpolated position mode Profile velocity mode, Cyclic synchronous position mode

PROFIBUS



There are many applications based on profibus communication in industrial automation market. DP100 module is a PROFIBUS DP module, which can be connected another PROFIBUS product with ESTUN ProNet servo drive. The project cost of providing profibus connection is low.

Items	Specifications
Communication standard	PROFIBUS-DP, PROFIDRIVE
Physical layer	RS-485 transmission
Bus connection	CN5 (DB9)
Cable	RS-485 cable with D type
Baud rate	Automatic identification of bus transmission baud rate Communication distance: 9.6Kbps~12Mbps Transmission distance: 100m~1200m
Data exchange	Cyclic data exchange and Acyclic data exchange
LED indicator	ALM, COMM
Address setting	ADDH, ADDL

POWERLINK



POWERLINK technology applied in ProNet series drives leads to improved performances and expanded application fields. POWERLINK is open source technology and has no platform limit. It is CANopen over Ethernet, which has inherited all former applications based on CANopen. Customer programs are protected and performance level is increased. POWERLINK drive provides fast and realtime response ability of 250μs, which definitely gives better support for applications like high speed synchronization, high speed positioning control and electronic gear, etc.

Items	Specifications
Communication standard	IEC 61784-2, IEC 61800-7 CiA402 Drive Profile
Physical layer	100BASE-TX (IEEE802.3)
Bus connection	CN5 (RJ45): POWERLINK Signal IN/OUT CN6 (RJ45): POWERLINK Signal IN/OUT
Cable	Class-5 twisted pair cables
PDO data	Dynamic PDO mapping
LED indicator	POWERLINK System indicator (SYS) ×1 POWERLINK Run indicator (RUN) ×1 POWERLINK Error indicator (ERR) ×1
Communication Mode	Homing mode, Profile position mode, Profile velocity mode, Position interpolation mode

CANopen



Standard CAN bus interfaces are available in ProNet series servo drives, which makes it easy to get integrated into a distributed control system.

Items	Specifications
Communication standard	CiA-DS301 CiA402 Drive Profile
Physical layer	ISO 11898-2 CiA 303-1
Bus connection	CN3 (RJ45): Signal IN CN4 (RJ45): Signal OUT
Cable	Twisted pair cable
Baud rate	50Kbps, 100Kbps, 125Kbps, 250Kbps, 500Kbps, 1Mbps
COB	SDO, PDO, SYNC, EMCY, NMT, Heartbeat
Communication mode	Homing mode, speed control mode, position control mode, position interpolation mode
PDO data	Dynamic PDO mapping, 2 sending PDO, 2 receiving PDO

Modbus



ProNet series servo drives provide the Modbus communication function with RS-485 interface, which can be used to easily set parameters or to perform monitoring operations and so on.

Items	Specifications
Communication standard	Modbus
Physical layer	RS-485 transmission
Bus connection	CN3 (RJ45): Signal IN CN4(RJ45): Signal OUT
Cable	Twisted pair cable
Baud rate	4800bps, 9600bps, 19200bps
Communication Mode	ASCII, RTU

Servo Motor Specification

EMJ Model

Features

- Medium inertia
- Peak torque up to 300% of rated torque
- Various models (0.05kW~1.0kW, with brake, etc.)
- Speed up to 4500r/min
- Mounted with 17/20bits incremental/absolute encoder, wire-saving incremental encoder (2500P/R) is optional

Application

- SMM (surface mounting machine)
- PCB punch machine
- Robot arm
- Handling machinery
- Textile machinery

Specification Description



EMJ-08 A P B 1 1 -WR

EMJ Model Servo Motor Rated Output Power Power Voltage Encoder Designing Sequence Shaft End Option Parts Connector

Sign	Spec.	Sign	Spec.	Sign	Spec.	Sign	Spec.	Sign	Spec.	Sign	Spec.	
A5	0.05kW	A	200VAC	D	Incremental Encoder: 131072P/R	A, B, H	Designing Sequence	1	Flat, Without Keys	1	None	WR Water proof Connector Incremental (Wire-saving) Type: 2500P/R
01	0.1kW	B	100VAC	F	Incremental Encoder: 1048576P/R			2	Flat, With Keys, With Screw Thread	2	With Oil Seal	
02	0.2kW			S	Absolute Encoder: 131072P/R					3	With Brake (DC24V)	
04	0.4kW			P	Incremental Wire-saving Type: 2500P/R					4	With Oil Seal, With Brake (DC24V)	
08	0.75kW											
10	1.0kW											

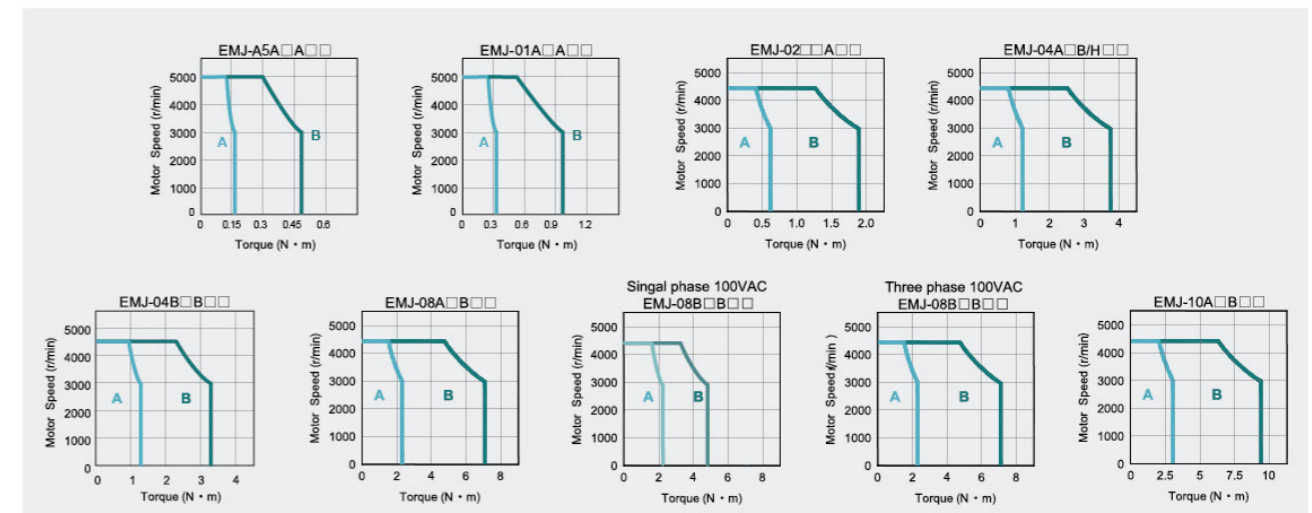
Notes: ①EMJ-A5/01□□□□□ and EMJ-□□□□D/F/S□□ support water proof connector default.
 ②EMJ-04/08/10A□□□□□-UL have completed UL1004-6. File NO. is E365853.

Rated Value and Specification

Voltage		100VAC/200VAC										
Servo Motor Model	EMJ-	A5A□□□□	01A□□□□	02A□□□□	02B□□□□	04A□□□□	04A□□H□□	04B□□□□	08A□□□□	08B□□□□	10A□□□□	
Rated Output Power	kW	0.05	0.1	0.2	0.4			0.75		1.0		
Rated Torque	N·m	0.16	0.32	0.64	1.27			2.39		3.18		
Instantaneous Peak Torque	N·m	0.48	0.96	1.91	3.82	3.82	3.26	7.16	7.16	9.55		
Rated Current	Arms	0.95	1.05	1.4	2.7	2.8	2.8	5.8	4.0	8.2	5.3	
Instantaneous Max Current	Arms	3.0	3.2	4.2	8.1	8.4	8.4	15.1	12.0	24.6	15.9	
Rated Speed	r/min	3000										
Max. Speed	r/min	5000				4500						
Rotor Moment of Inertia	×10 ⁻⁴ kg·m ²	0.051 (0.052)	0.073 (0.074)	0.19 (0.23)		0.31 (0.35)	0.7 (0.74)	0.31 (0.35)	1.35 (1.47)		1.74 (1.87)	
Brake Rated Voltage		DC24V±10%										
Brake Rated Power	W	6.096				7.2			11.5			
Brake Holding Torque	N·m	0.3				1.3			3.2			
Encoder	Standard	Incremental Encoder: 131072P/R 1048576P/R										
	Options	Absolute Encoder: 131072P/R Wire-saving Incremental Encoder (2500P/R)										
Insulation Class		F										
Ambient Temperature		0 to +40°C (no freezing)										
Ambient Humidity		20% to 80% RH (non-condensing)										
Vibration		49m/s ²										
Enclosure		Totally Enclosed, Self-cooled, IP65 (Except for shaft opening, when not equipped with oil seal; Except for connectors, when not equipped with waterproof connectors.)										

Note : ① The values in parentheses are for servo motors with holding brakes.
 ② when power supply is single-phase, the instantaneous peak torque of EMJ-08B□□□□ is 4.78.

Torque-Speed Feature



A: Continuous Working Area B: Repeatedly Working Area

EMG Model

Features

- Be used to drive the feed shaft of various machinery
- Various models (1.0kW~5.0kW, with brake, etc.)
- Mounted with 17/20bits incremental / absolute encoder, resolver or wire-saving incremental encoder (2500P/R) is optional
- Standard configuration is IP65

Application

- Machine tools
- Handling machinery
- Food processing machinery
- Textile machinery



Specification Description

EMG-10	A	D	A	1	1	
EMG Model Servo Motor	Rated Output Power	Power Voltage	Encoder	Designing Sequence	Shaft End	Option Parts
Sign. Spec.	Sign. Spec.	Sign. Spec.	Sign. Spec.	Sign. Spec.	Sign. Spec.	Sign. Spec.
10 1.0kW 15 1.5kW 20 2.0kW 30 3.0kW 50 5.0kW	A 200VAC D 400VAC	D Incremental Encoder: 131072P/R F Incremental : Encoder 1048576P/R S Absolute Encoder: 131072P/R P Incremental Wire-saving Type:2500P/R	A,B Designing Sequence	1 Flat, Without Keys 2 Flat, With Keys With Screw Thread	1 None 2 With Oil Seal 3 With Brake (DC24V) 4 With Oil Seal, With Brake (DC24V)	

Notes: ①The EMG-30□□A□□, EMG-50□□A□□ servo motors don't provide the incremental encoder 131072P/R.
 ②There is no brake in EMG-□□□□□□ servo motor.
 ③EMG-10/15/20A□□□□□□-UL have completed UL1004-6. File NO. is E365853.

Rated Value and Specification

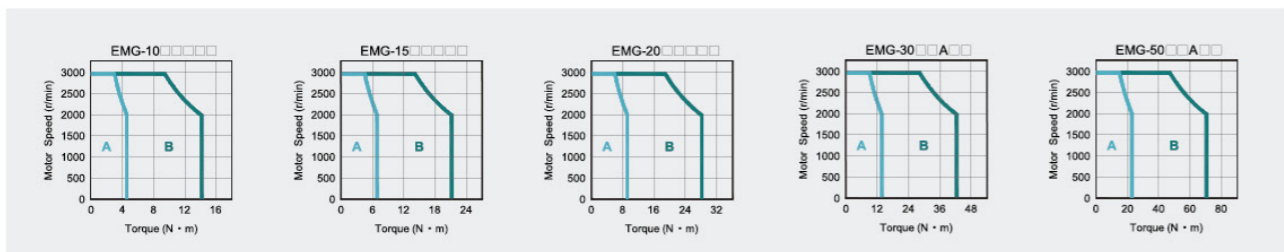
Voltage		200VAC / 400VAC										
Servo Motor Model	EMG-	10A□A□□	10D□A□□	15A□A□□	15D□A□□	20A□A□□	20D□A□□	30A□A□□	30D□A□□	50A□A□□	50D□A□□	
Rated Output Power	KW	1.0	1.0	1.5	1.5	2.0	2.0	3.0	3.0	5.0	5.0	
Rated Torque	N·m	4.78	4.78	7.16	7.16	9.55	9.55	14.3	14.3	23.9	23.9	
Instantaneous Peak Torque	N·m	14.3	14.3	21.5	21.5	28.7	28.7	43.0	43.0	71.6	71.6	
Rated Current	Arms	6.0	3.2	9.0	5.0	12.0	6.4	18.0	8.8	28.0	15.0	
Instantaneous Max. Current	Arms	18.0	9.6	27.0	15.0	36.0	19.2	54.0	26.4	84.0	45.0	
Rated Speed	r/min	2000										
Max. Speed	r/min	3000										
Rotor Moment of Inertia	×10 ⁻⁴ kg·m ²	10.0 (10.6)		14.5 (15.1)		19.0 (19.6)		41.3 (44.5)		65.7 (68.9)		
Brake Rated Voltage		DC24V±10%										
Brake Rated Power	W	19						35				
Brake Holding Torque	N·m	10						40				
Encoder	Standard	Incremental Encoder: 131072P/R 1048576P/R						Absolute Encoder: 131072P/R				
	Options	Absolute Encoder: 131072P/R Wire-saving Incremental Encoder (2500P/R)						Wire-saving Incremental Encoder (2500P/R)				
Insulation Class		F										
Ambient Temperature		0 to +40°C (No freezing)										
Ambient Humidity		20% to 80% RH (Non-condensing)										
Vibration		24.5m/s ²										
Enclosure		Totally Enclosed, Self-cooled, IP65 (Except for shaft opening, when not equipped with oil seal.)										

Note: The values in parentheses are for servo motors with holding brakes.

Voltage		200VAC / 400VAC					
Servo Motor Model	EMG-	10A□□□□	10D□□□□	15A□□□□	15D□□□□	20A□□□□	20D□□□□
Rated Output Power	kW	1.0		1.5		2.0	
Rated Torque	N·m	4.78		7.16		9.55	
Instantaneous Peak Torque	N·m	14.3		21.5		28.7	
Rated Current	Arms	5.8	3.0	8.2	4.3	11.3	5.7
Instantaneous Max. Current	Arms	17.4	9.0	24.6	12.9	33.9	17.1
Rated Speed	r/min	2000					
Max. Speed	r/min	3000					
Rotor Moment of Inertia	×10 ⁻⁴ kg·m ²	13.2(14.3)		18.4(19.5)		23.5(24.6)	
Brake Rated Voltage		DC24V±10%					
Brake Rated Power	W	19.5					
Brake Holding Torque	N·m	12					
Encoder	Standard	Incremental Encoder: 131072P/R 1048576P/R					
	Options	Absolute Encoder: 131072P/R Wire-saving Incremental Encoder (2500P/R)					
Insulation Class		F					
Ambient Temperature		0 to +40°C (No freezing)					
Ambient Humidity		20% to 80% RH (Non-condensing)					
Vibration		24.5m/s ²					
Enclosure		Totally Enclosed, Self-cooled, IP65 (Except for shaft opening, when not equipped with oil seal.)					

Note: The values in parentheses are for servo motors with holding brakes.

Torque-Speed Feature



A: Continuous Working Area B: Repeatedly Working Area

EML

Model Servo Motor

Features

- Be used to drive the feed shaft of various machinery
- Various models (1.0kW~4.0kW, with brake, etc.)
- Mounted with 17/20bits incremental / absolute encoder, wire-saving incremental encoder (2500P/R) is optional
- Standard configuration is IP65

Application

- Machine tools
- Handling machinery
- Food processing machinery
- Textile machinery



Specification Description

EML-10	A	D	A	1	1	
EML Model Servo Motor	Rated Output Power	Power Voltage	Encoder	Designing Sequence	Shaft End	Option Parts

Sign	Spec.	Sign	Spec.	Sign	Spec.	Sign	Spec.	Sign	Spec.	Sign	Spec.
10	1.0kW	A	200VAC	D	Incremental Encoder: 131072P/R	A,B	Designing Sequence	1	Flat, Without Keys	1	None
20	2.0kW	D	400VAC	F	Incremental : Encoder 1048576P/R			2	Flat, With Keys With Screw Thread	2	With Oil Seal
30	3.0kW			S	Absolute Encoder: 131072P/R					3	With Brake (DC24V)
40	4.0kW			P	Incremental Wire-saving Type: 2500P/R					4	With Oil Seal, With Brake (DC24V)

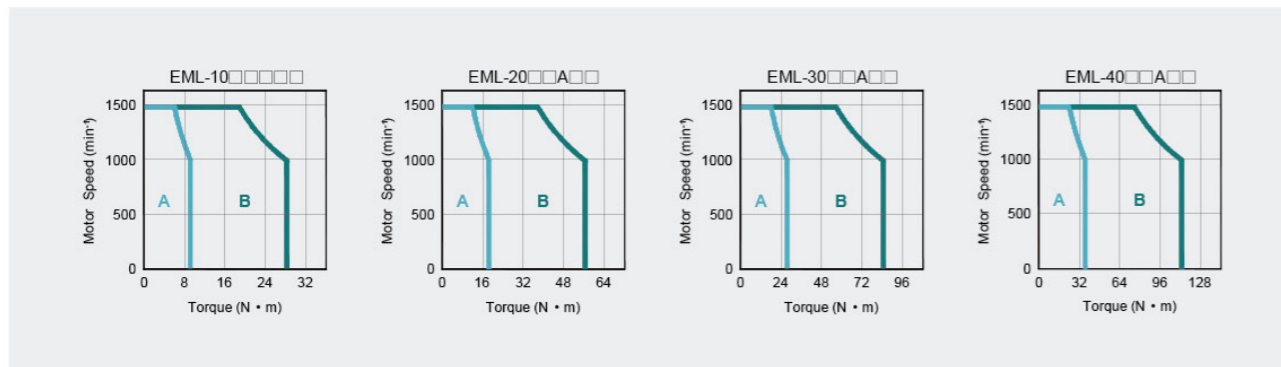
Notes: ① The EML-20□□A□□, EML-30□□A□□, EML-40□□A□□ servo motors are not mounted the incremental encoder 131072P/R.
② There is no brake in the EML-10□□□□□ servo motor.

Rated Value and Specification

Voltage		200VAC / 400VAC									
Servo Motor Model	EML-	10A□A□□	10A□B□□	10D□A□□	10D□B□□	20A□A□□	20D□A□□	30A□A□□	30D□A□□	40A□A□□	40D□A□□
Rated Output Power	kW	1.0	1.0	1.0	1.0	2.0		3.0		4.0	
Rated Torque	N.m	9.55	9.55	9.55	9.55	19.1		28.7		38.2	
Instantaneous Peak Torque	N.m	28.7	28.7	28.7	28.7	57.3		86.0		114.6	
Rated Current	Arms	6.0	5.5	3.2	2.8	12.0	6.2	18.0	9.0	24.0	12.2
Instantaneous Max. Current	Arms	18.0	16.5	9.6	8.4	36.0	18.6	54.0	27.0	72.0	36.6
Rated Speed	r/min	1000									
Max. Speed	r/min	1500									
Rotor Moment of Inertia	$\times 10^4 \text{kg}\cdot\text{m}^2$	19.0 (19.6)	23.5(24.6)	19.0 (19.6)	23.5(24.6)	53.5 (56.7)		77.8 (81.0)		102.2 (105.4)	
Brake Rated Voltage		DC24V \pm 10%									
Brake Rated Power	W	19	19.5	19	19.5	35					
Brake Holding Torque	N.m	10	12	10	12	40					
Encoder	Standard	Incremental Encoder: 131072P/R 1048576P/R				Absolute Encoder: 131072P/R					
	Options	Absolute Encoder: 131072P/R Wire-saving Incremental Encoder (2500P/R)									
Insulation Class		F									
Ambient Temperature		0 to + 40°C (No freezing)									
Ambient Humidity		20 to 80% RH (Non-condensing)									
Vibration		24.5m/s ²									
Enclosure		Totally Enclosed, Self-cooled, IP65 (Except for shaft opening, when not equipped with oil seal.)									

Note: The values in parentheses are for servo motors with holding brakes.

Torque-Speed Feature



A: Continuous Working Area B: Repeatedly Working Area

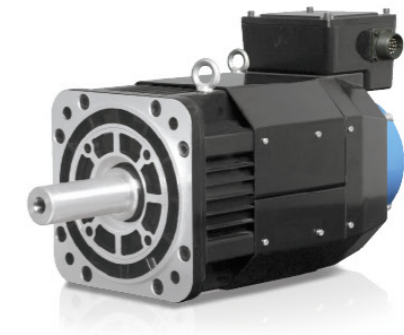
EMB Model

Features

- Power supply voltage: 400V
- Driving of feed shafts for various machinery
- Various models (7.5kW~22kW, with brake, etc.)
- Mounted with 17 bits absolute encoder, resolver is optional
- Temperature sensor

Application

- Machine tools
- Handling machinery
- Food processing machinery
- Textile machinery



Specification Description

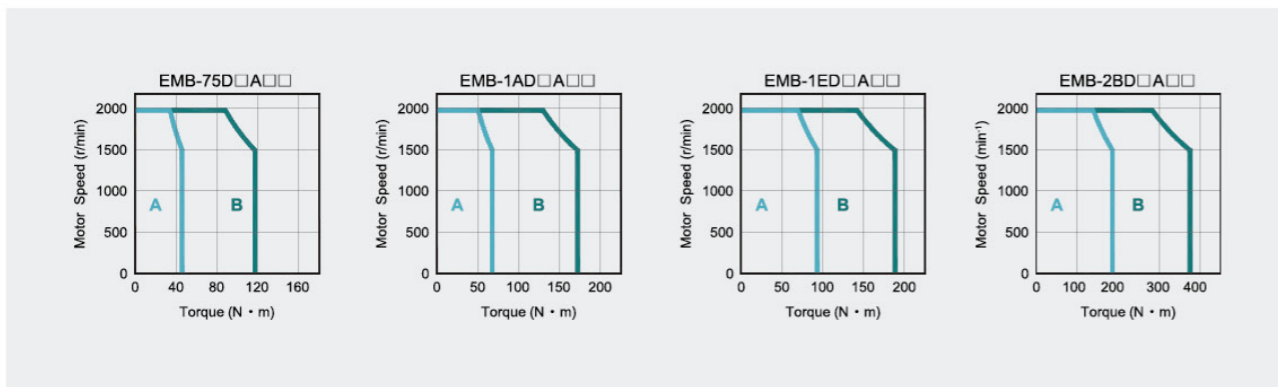
EMB-1E		D		S		A		1		1	
EMB Model Servo Motor		Rated Output Power		Power Voltage		Encoder		Designing Sequence		Shaft End Option Parts	
Sign	Spec.	Sign	Spec.	Sign	Spec.	Sign	Spec.	Sign	Spec.	Sign	Spec.
75	7.5kW	D	400VAC	S	Absolute Encoder: 131072P/R	A	Designing Sequence	1	Flat, Without Keys	1	None
1A	11.0kW									2	With Oil Seal
1E	15.0kW									3	With Brake (DC24V)
2B	22.0kW			R	Resolver			2	Flat, With Keys With Screw Thread	4	With Oil Seal, With Brake (DC24V)

Rated Value and Specification

Voltage		400VAC			
Servo Motor Model	EMB-	75D□A□□	1AD□A□□	1ED□A□□	2BD□A□□
Rated Output Power	kW	7.5	11.0	15.0	22.0
Rated Torque	N·m	47.8	70.0	95.5	140.0
Instantaneous Peak Torque	N·m	143.4	175	191	350
Rated Current	Arms	18.0	28.0	38.0	52.0
Instantaneous Max. Current	Arms	56.0	70.0	84.0	130
Rated Speed	r/min	1500			
Max. Speed	r/min	2000			
Rotor Moment of Inertia	$\times 10^{-4} \text{kg}\cdot\text{m}^2$	186.2 (193.6)	271.6 (278.9)	338.8 (346.1)	576.62
Brake Rated Voltage		DC24V \pm 10%			
Brake Rated Power	W	90			
Brake Holding Torque	N·m	100			
Encoder	Standard	Absolute Encoder: 131072P/R			
	Options	Resolver			
Insulation Class		F			
Ambient Temperature		0 to +40°C (No freezing)			
Ambient Humidity		20% to 80% RH (Non-condensing)			
Vibration		24.5m/s ²			
Enclosure		Totally Enclosed, Forced-air Cooling, IP44 (Except for shaft opening, when not equipped with oil seal.) IP20 for cooling fan			

Note: The values in parentheses are for servo motors with holding brakes.

Torque-Speed Feature



A: Continuous Working Area B: Repeatedly Working Area

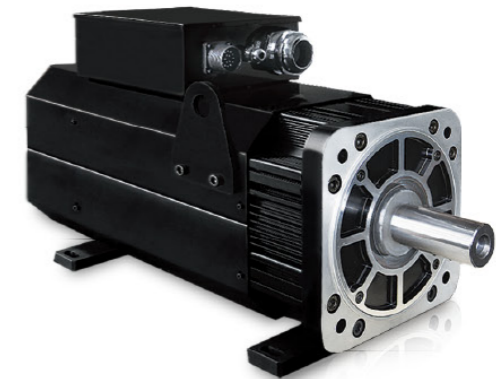
EMB for Low Inertia Model

Features

- Wider weak field speed governing range, better overload capability
- Made from high class permanent material, higher motor efficiency
- High performance of resolver
- Built-in high precision temperature sensor
- Customization is available

Application

- Injection molding machine



Specification Description

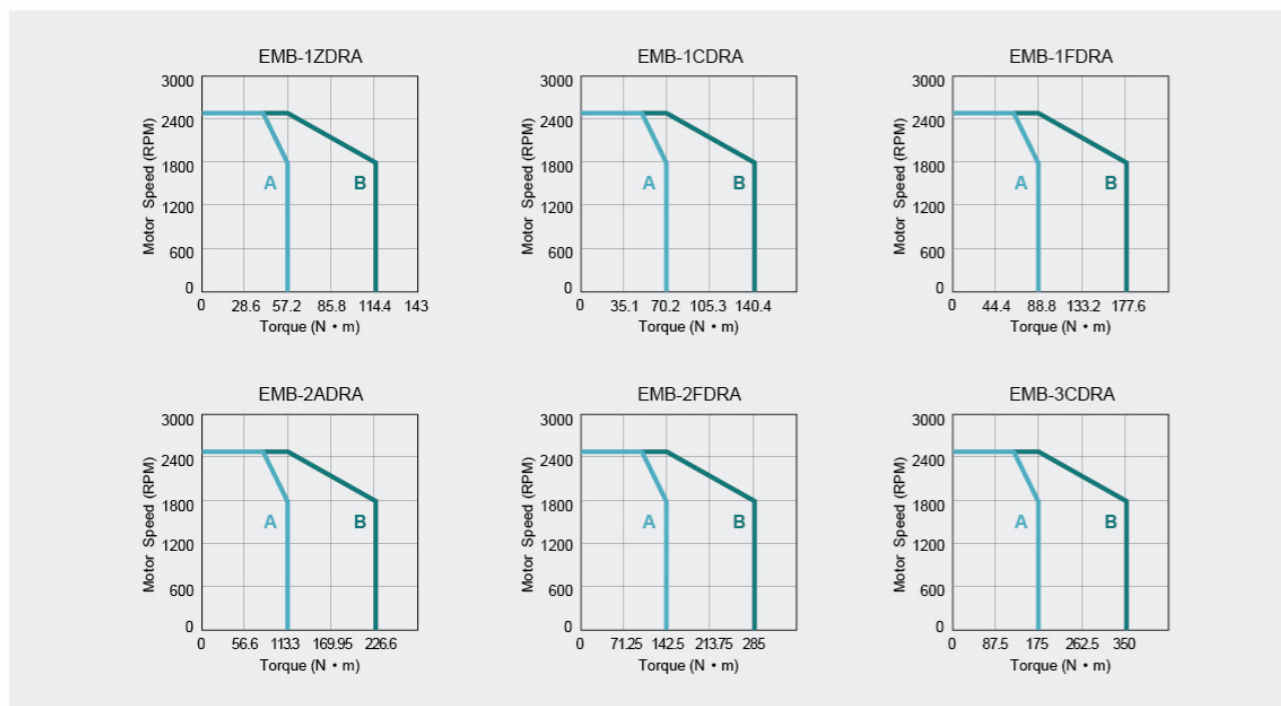
EMB-1Z **D** **R** **A** **2** **1** _____
 EMB for Low Inertia Model Rated Output Power Voltage Encoder Designing Sequence Shaft End Option Parts Custom-built Servo Motor

Sign	Spec.	Sign	Spec.	Sign	Spec.	Sign	Spec.	Sign	Spec.	Sign	Spec.		
1Z	10.8kW	D	400VAC	R	Resolver	A	Designing Sequence	1	Flat, Without Keys	1	None	00	With Baseplate (Omissible)
1C	13.2kW									2	With Oil Seal		
1F	16.7kW												
2A	21.4kW							2	Flat, With Keys, With Screw Thread	3	With Brake(DC 24V)	XX	Custom-built (Internal Code)
2F	26.9kW									4	With oil seal, with brake (DC24V)		
3C	33kW												

Rated Value and Specification

Voltage		400VAC					
Servo Motor		EMB-1ZDRA	EMB-1CDRA	EMB-1FDRA	EMB-2ADRA	EMB-2FDRA	EMB-3CDRA
Motor Rated Power	kW	10.8	13.2	16.7	21.4	26.9	33
Rated Torque	N·m	57.2	70.2	88.8	113.3	142.5	175
Instantaneous Peak Torque	N·m	114.5	140.4	177.5	226.5	285	350
Rated Current	Arms	22.5	27	34.5	47	60	72
Instantaneous Max. Current	Arms	45	54	69	94	120	144
Kt Value	N·m/A	2.54	2.6	2.57	2.41	2.38	2.43
Rated Speed	r/min	1800					
Max. Speed	r/min	2500					
Pole Number		8					
Rotor Moment of Inertia	$\times 10^{-4} \text{kg}\cdot\text{m}^2$	116	132	156	195	234	283
Encoder		Resolver					
Insulation Class		F					
Ambient Temperature		0 ~ +40°C (No freezing)					
Ambient Humidity		20% ~ 80% RH(Non-condensing)					
Vibration		24.5m/s ²					
Enclosure		Totally enclosed, forced-air cooling, IP44(Except for shaft opening, when not equipped with oil seal), IP20 for cooling fan					

Torque-Speed Feature



A: Continuous Working Area B: Repeatedly Working Area

Servo Motor Specification

Features

- Low inertia
- Peak torque up to 300% of rated torque
- Various models (0.2kw~5kw, with brake, ect.)
- Run at speed of up to 4500~5000r/min
- Mounted 20 bits incremental / absolute encoder, Optional mounted Resolver
- European standard plug design

Application

- SMM(surface mounting machine)
- PCB puncher machine
- Robot arm
- Handing machinery
- Textile machinery



Specification Description

Servomotor Model Designation

EMS-02 D F A 1 1

EMS Model Servo Motor Rated Output Power Power Voltage Encoder Designing Sequence Shaft End Option Parts

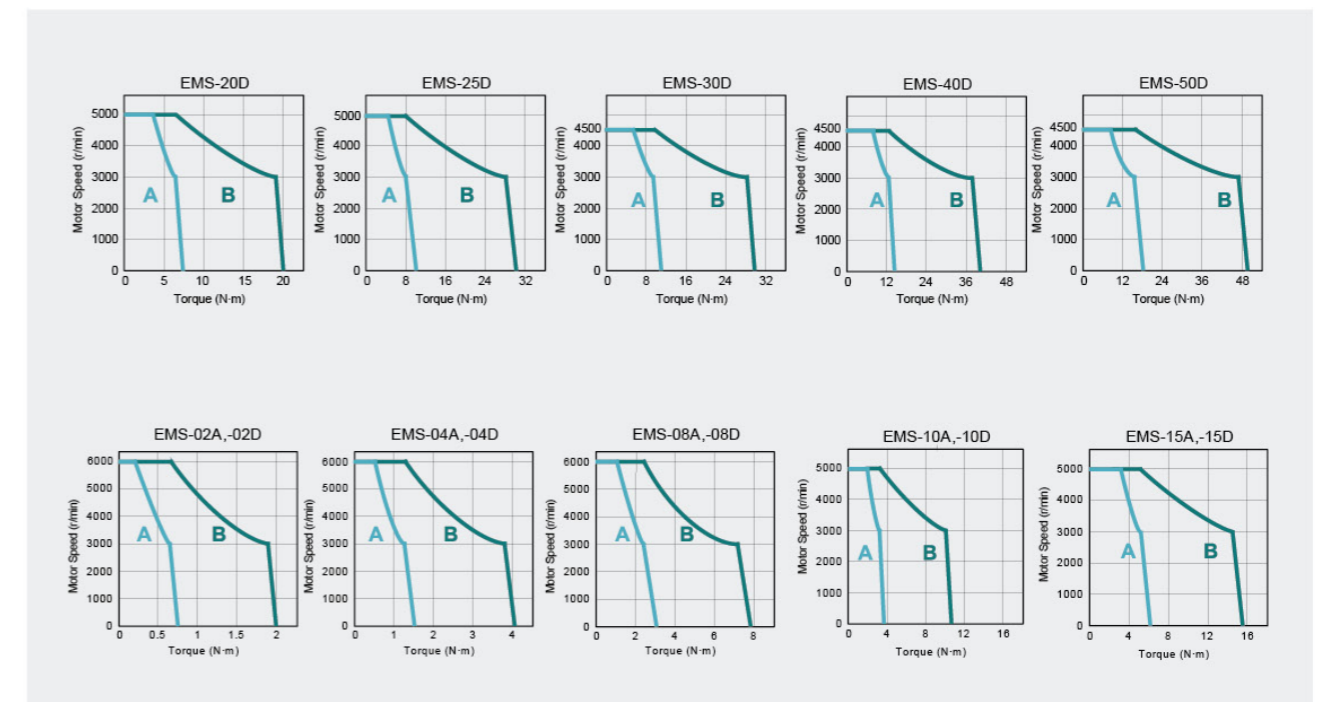
Sign	Spec.	Sign	Spec.	Sign	Spec.	Sign	Spec.	Sign	Spec.	Sign	Spec.
02	0.2kW	A	200V	F	Incremental Encoder 20bit	A,B	Designing Sequence	1	Flat, Without Keys	1	None
04	0.4kW	D	400V	U	Multi Turn Absolute Encoder 20bit			2	Flat, With Keys With Screw Thread	2	With steal
08	0.75kW			R	Resolver			3	(DC24V)With Brake(DC24V)	3	(DC24V)With Brake(DC24V)
10	1.0kW							4	With steal, With Brake(DC24V)	4	With steal, With Brake(DC24V)
15	1.5kW										
20	2.0kW										
25	2.5kW										
30	3.0kW										
40	4.0kW										
50	5.0kW										

Ratings and Specification

Voltage		200VAC/400VAC										
Servo Motor Model	EMS-	02A□A□□	02D□A□□	04A□A□□	04D□A□□	08A□A□□	08D□A□□	10A□A□□	10D□A□□	15A□A□□	15D□A□□	
Rated Output Power	kW	0.2	0.2	0.4	0.4	0.75	0.75	1	1	1.5	1.5	
Rated Torque	N.m	0.64	0.64	1.27	1.27	2.39	2.39	3.18	3.18	4.9	4.9	
Instantaneous Peak Torque	N.m	1.91	1.91	3.81	3.81	7.16	7.16	9.54	9.54	14.7	14.7	
Rated Current	A	1.9	0.95	3.2	1.6	5.4	2.7	5.4	2.7	9.2	4.6	
Instantaneous Max. Current	A	6	3	9.9	4.8	16.8	8.1	17	8.5	28	14	
Rated Speed	min ⁻¹	3000										
Max. Speed	min ⁻¹	6000					5000					
Rotor Moment of Inertia	×10 ⁻⁴ kg·m ²	0.19(0.23)		0.31(0.35)		1.32(1.44)		1.74(1.99)		2.00(2.25)		
Brake Rated Voltage		DC 24V±10%										
Brake Rated Power	W	7.2				11.5			17.6			
Brake Holding Torque	N·m	1.3				3.2			5			
Encoder	Standard	Incremental Encoder 20bit										
	Options	Absolute Encoder 20bit										
Insulation Class		F										
Ambient Temperature		0 to +40°C (no freezing)										
Ambient Humidity		20% to 80%RH (non-condensing)										
Enclosure		Totally Enclosed, self-cooled										
Protection class		IP65 (IP 54 std. and IP 65 with shaft sealing)										
Vibration		49m/s ²										

Voltage		400VAC				
Servo Motor Model	EMS-	20D□A□□	25D□A□□	30D□A□□	40D□A□□	50D□A□□
Rated Output Power	kW	2	2.5	3	4	5
Rated Torque	N.m	6.36	8	9.8	12.6	15.8
Instantaneous Peak Torque	N.m	19.1	25	29.4	37.8	47.4
Rated Current	A	6	7.2	8.8	12.4	13.6
Instantaneous Max. Current	A	20	23	28	38	42
Rated Speed	min ⁻¹	3000				
Max. Speed	min ⁻¹	5000		4500		
Rotor Moment of Inertia	×10 ⁻⁴ kg·m ²	2.47(2.82)	3.2(3.55)	7.00(7.35)	9.60(10.72)	12.3(13.42)
Brake Rated Voltage		DC 24V±10%				
Brake Rated Power	W	19.4			21.5	
Brake Holding Torque	N.m	12			16	
Encoder	Standard	Incremental Encoder 20bit				
	Options	Absolute Encoder 20bit, Resolver				
Insulation Class		F				
Ambient Temperature		0 to +40°C (no freezing)				
Ambient Humidity		20% to 80%RH (non-condensing)				
Enclosure		Totally Enclosed, self-cooled				
Protection class		IP65 (IP 54 std. and IP 65 with shaft sealing)				
Vibration		49m/s ²				

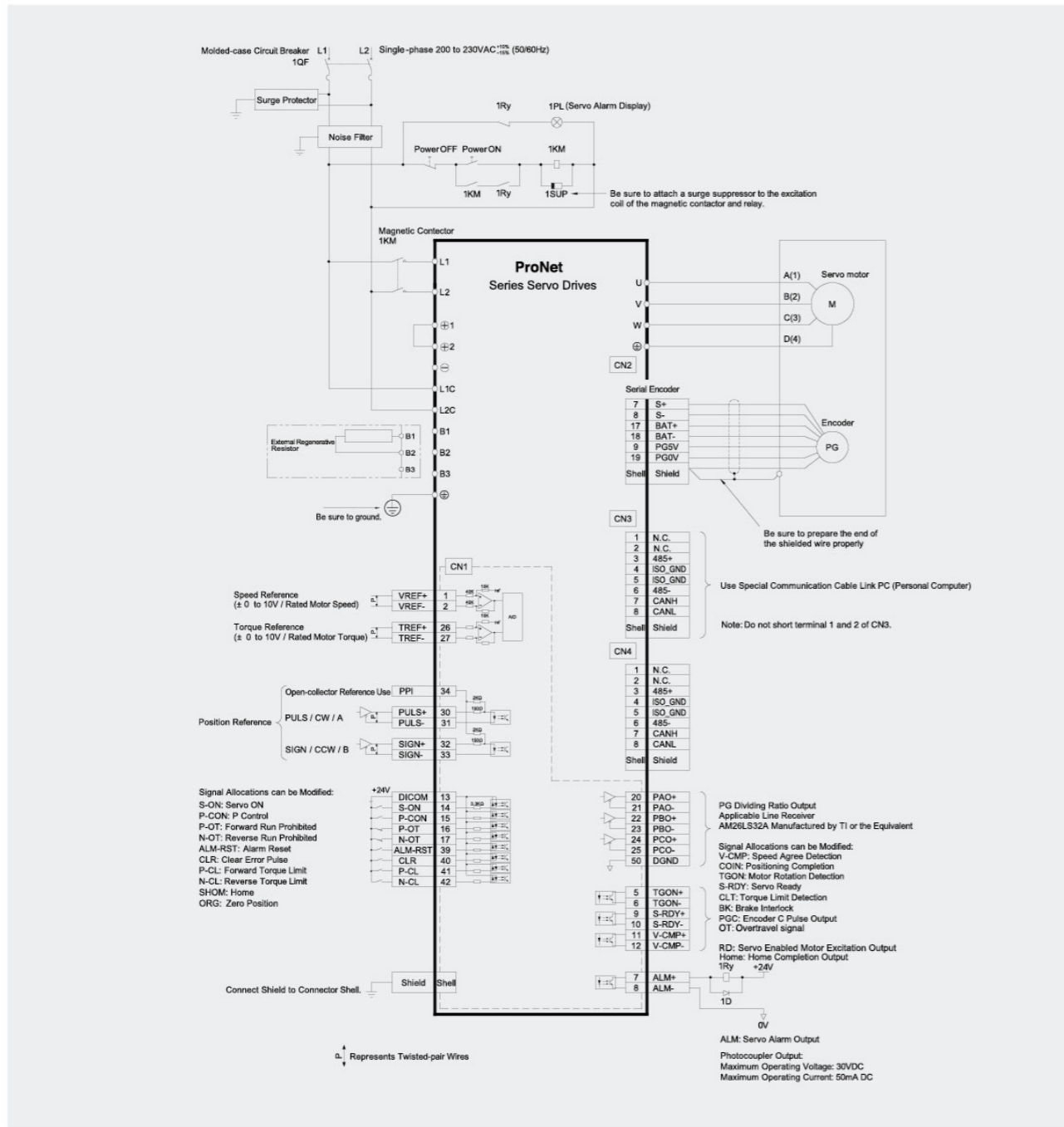
Torque-Speed Feature



A: Continuous Working Area B: Repeatedly Working Area

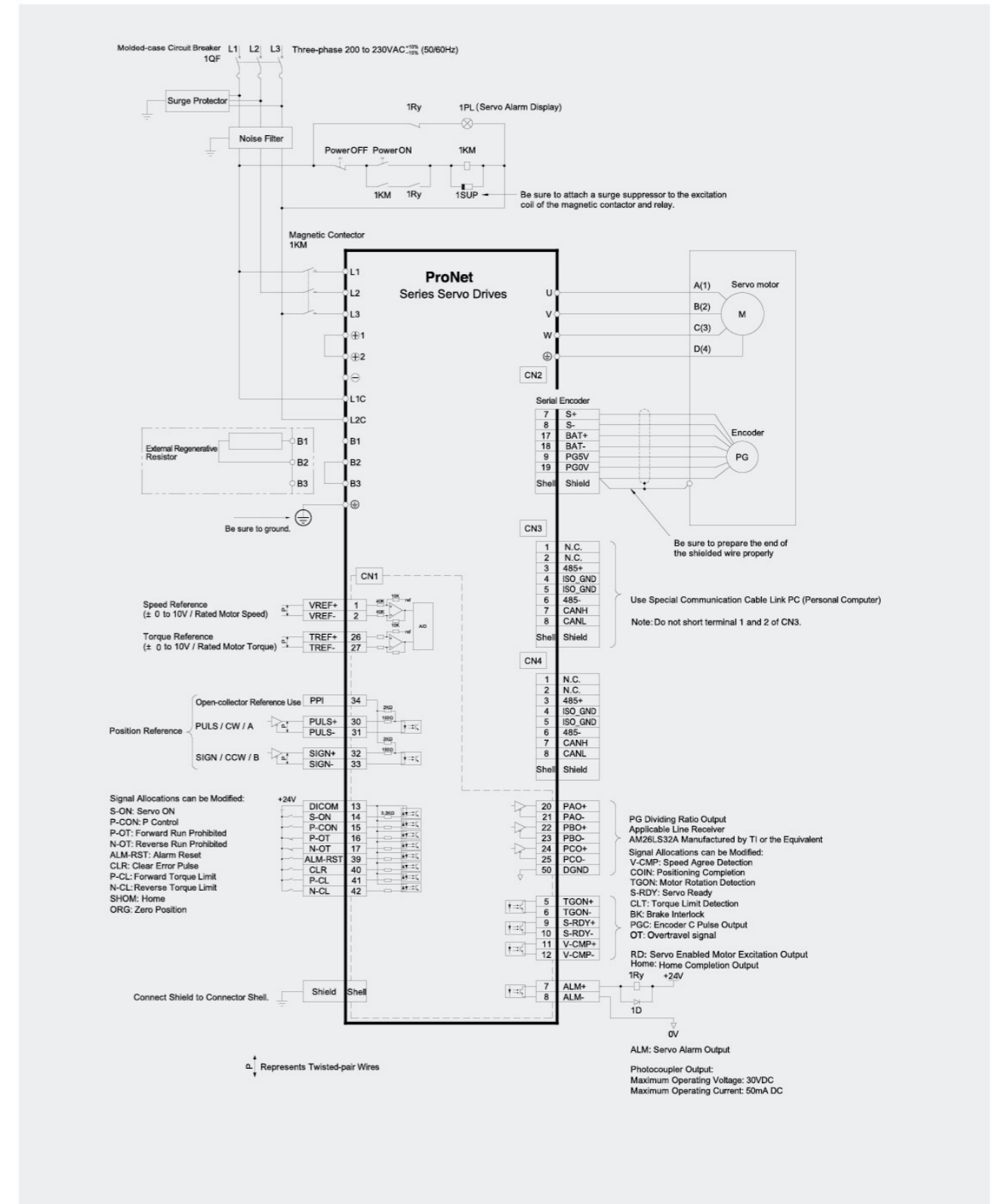
Connection

Single-phase 200VAC (ProNet-A5A to 04A)^①



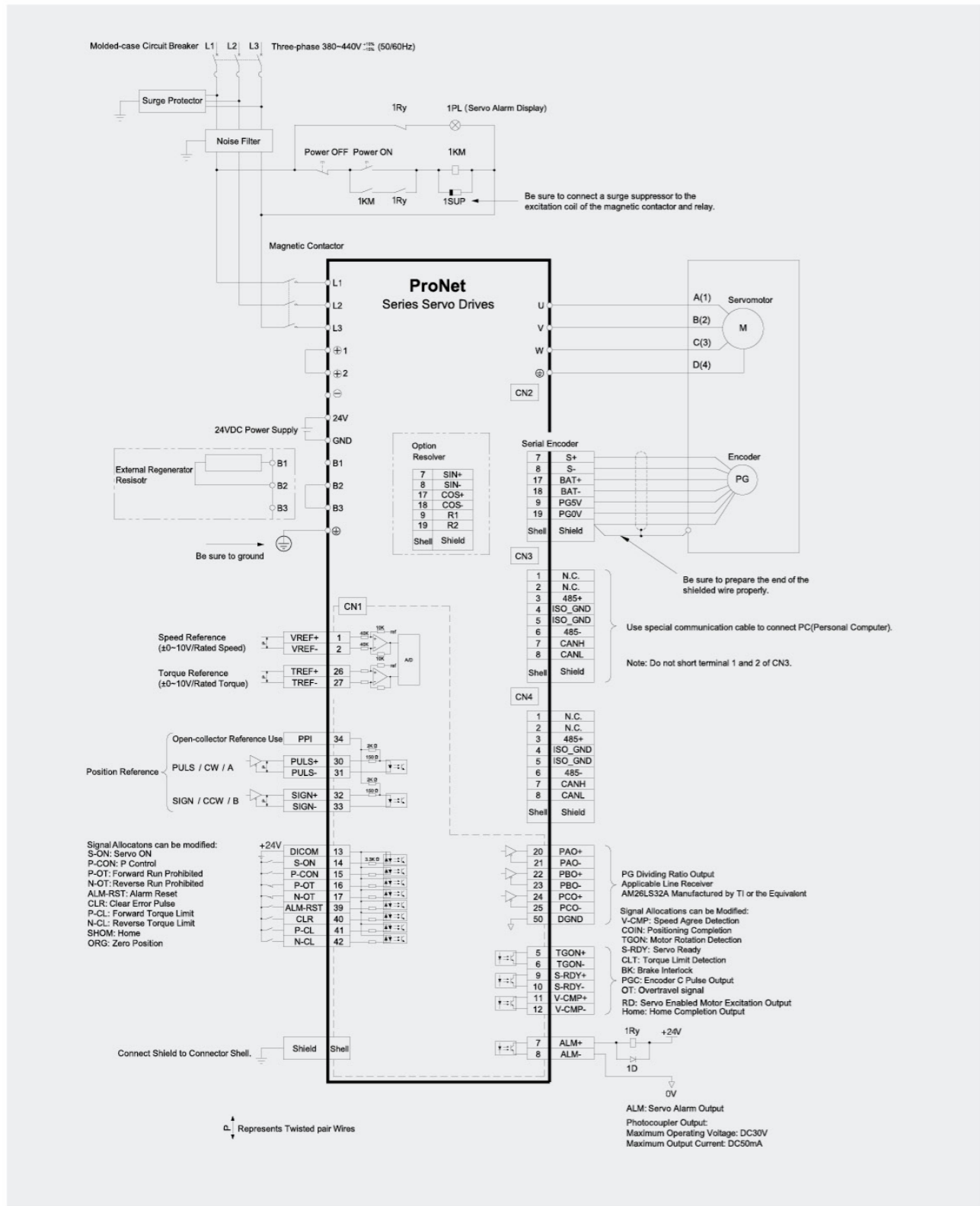
- Notes: ① Not including ProNet-02AEA-EC and ProNet-04AEA-EC.
 ② The L1, L2 and L1C, L2C terminals wiring method of ProNet-A5A~04A servo drives is different from other ProNet series servo drives. Please note the specific terminal definition while wiring.
 ③ External regenerative resistor for ProNet-A5A~04A is provided by customer, the model of ASQ60W50ΩKGO resistor is recommended.
 ④ Change Pn521 from "1" to "0" when using the external regenerative resistor in ProNet-A5A~04A servo drives.

Three-phase 200VAC (ProNet-08A to 50A)^①



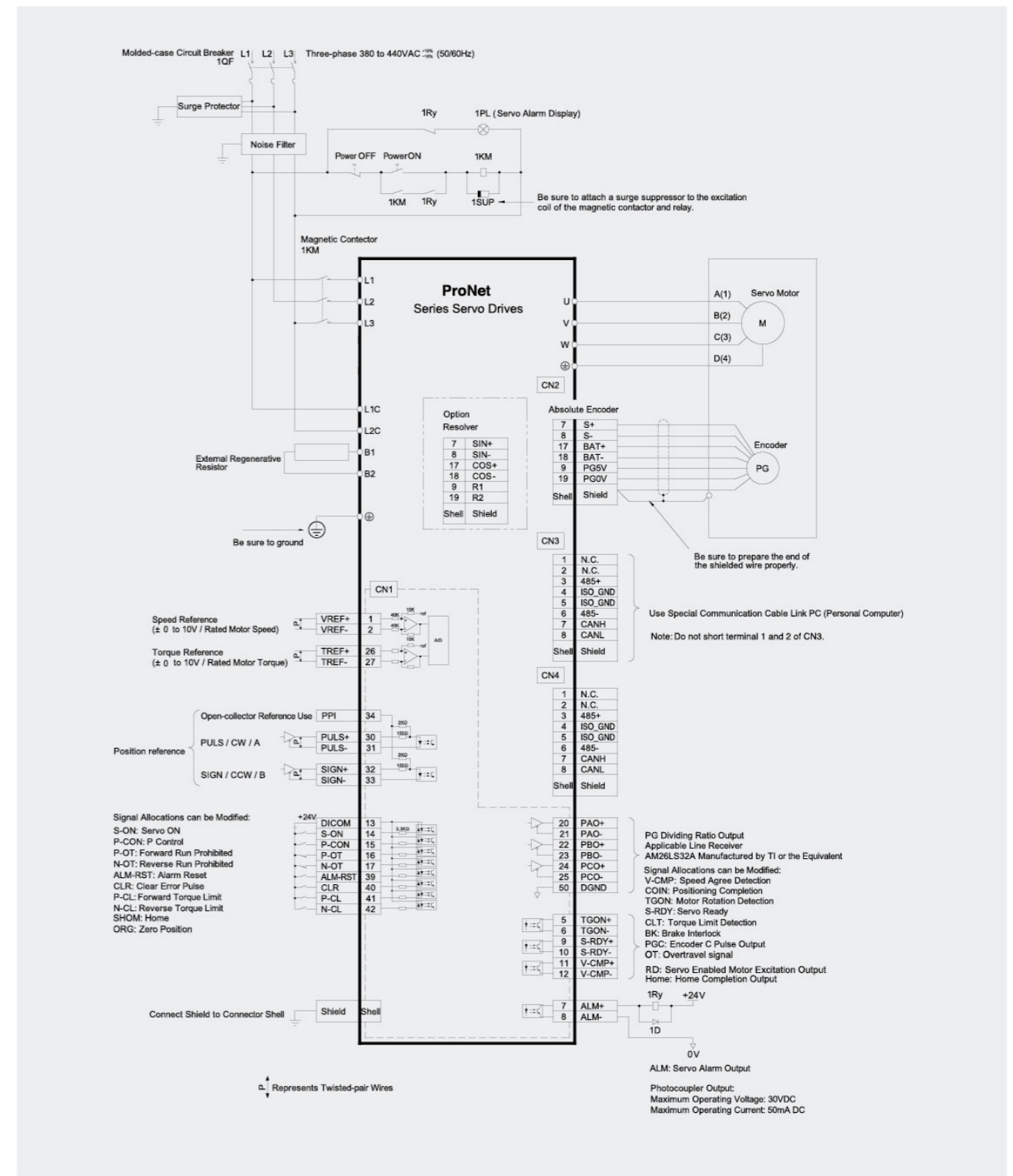
Note: ① Not including ProNet-08AEA-EC to ProNet-50AEA-EC.

Three-phase 400VAC (ProNet-10D~70D)^①



Note: ① Not including ProNet-10DEA-EC to ProNet-70DEA-EC.

Three-phase 400VAC (ProNet-75D to 2BD)^①



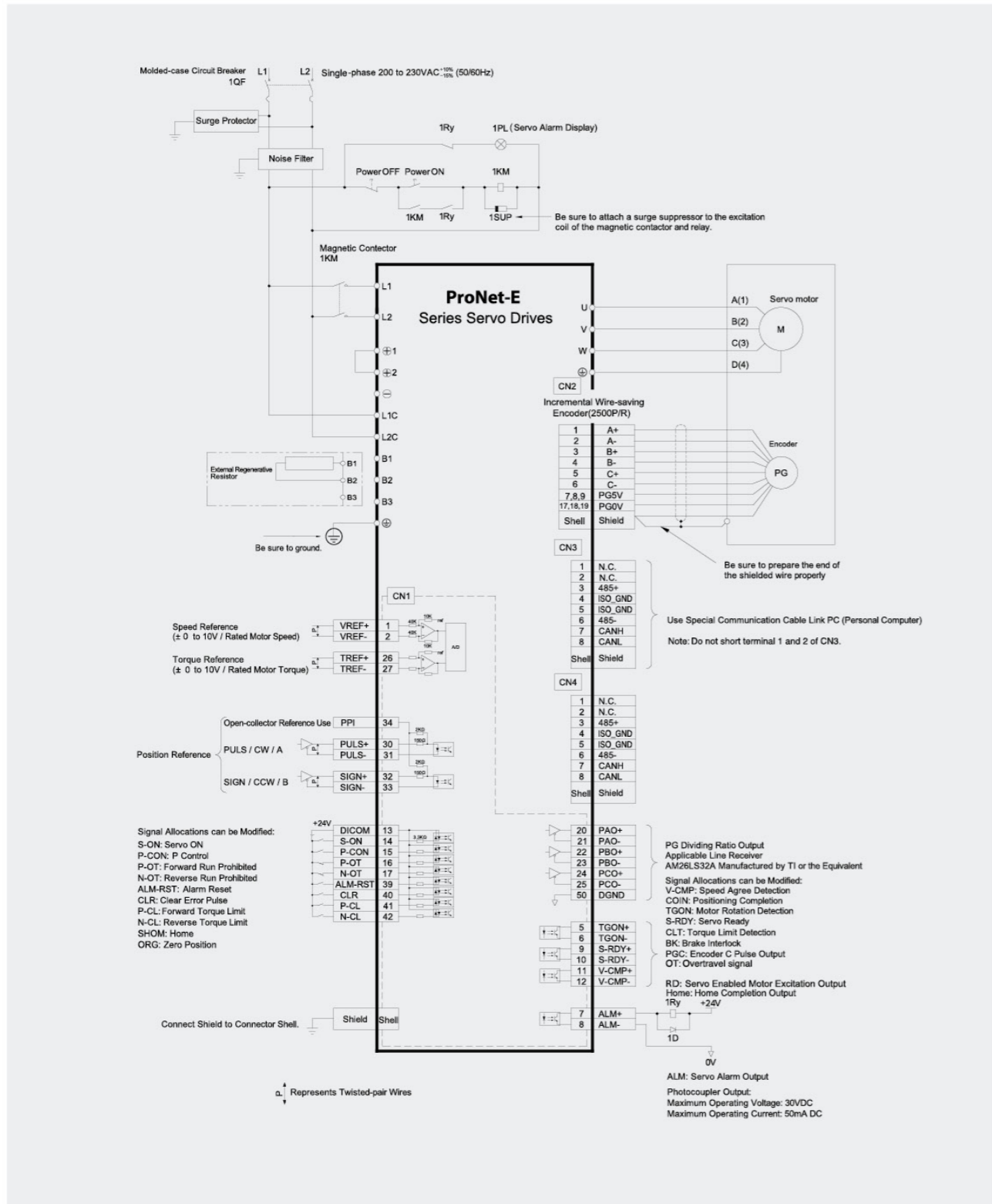
Notes: ① Not including ProNet-1ADEA-EC and ProNet-1EDEA-EC.

② External regenerative resistor for ProNet-1AD is provided by customer. The model of 2000W/18R resistor is recommended.

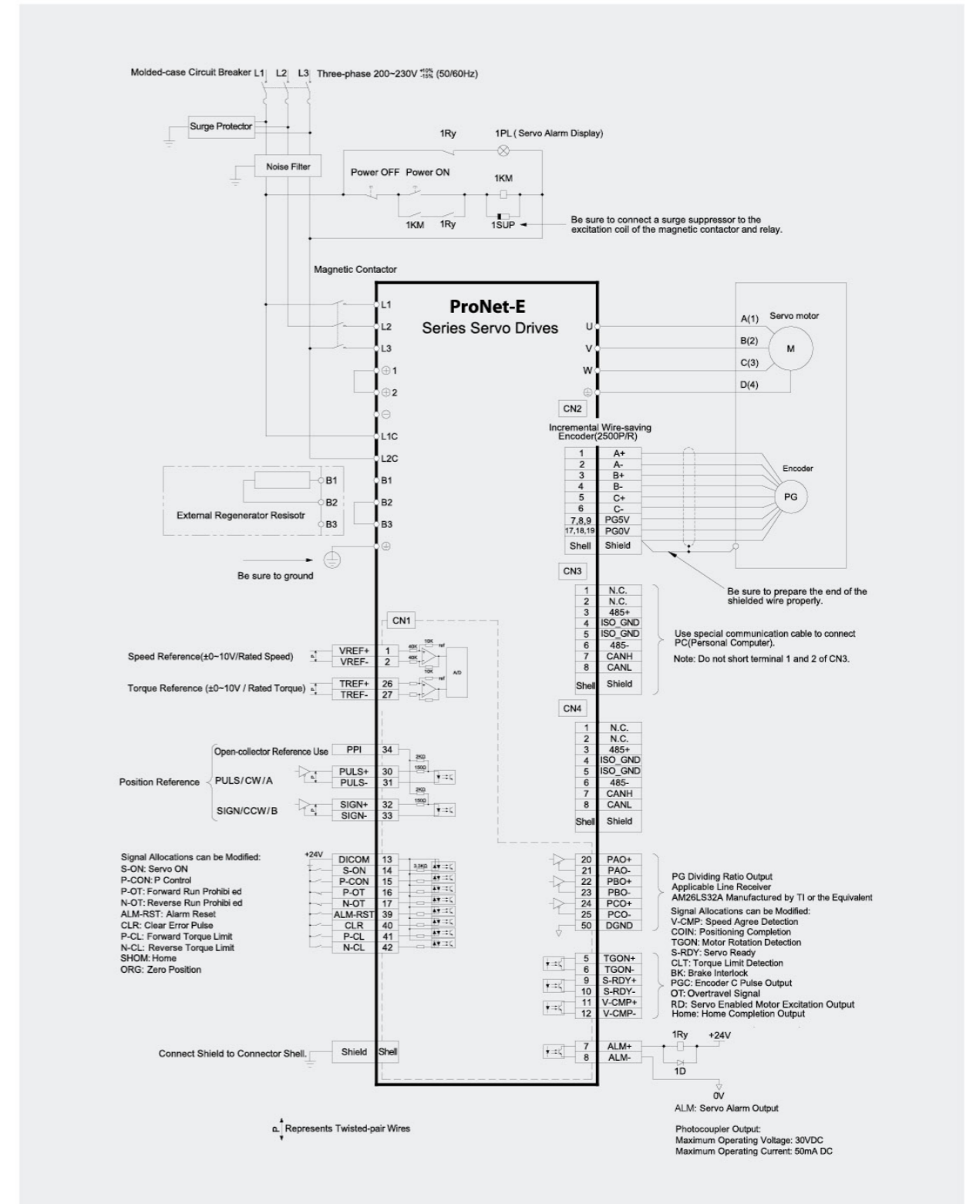
③ External regenerative resistor for ProNet-1ED is provided by customer. The model of 3000W/11R resistor is recommended.

④ External regenerative resistor for ProNet-2BD is provided by customer. The model of 4000W/9R resistor is recommended.

Single-phase 200VAC (ProNet-E-A5A to 04A)

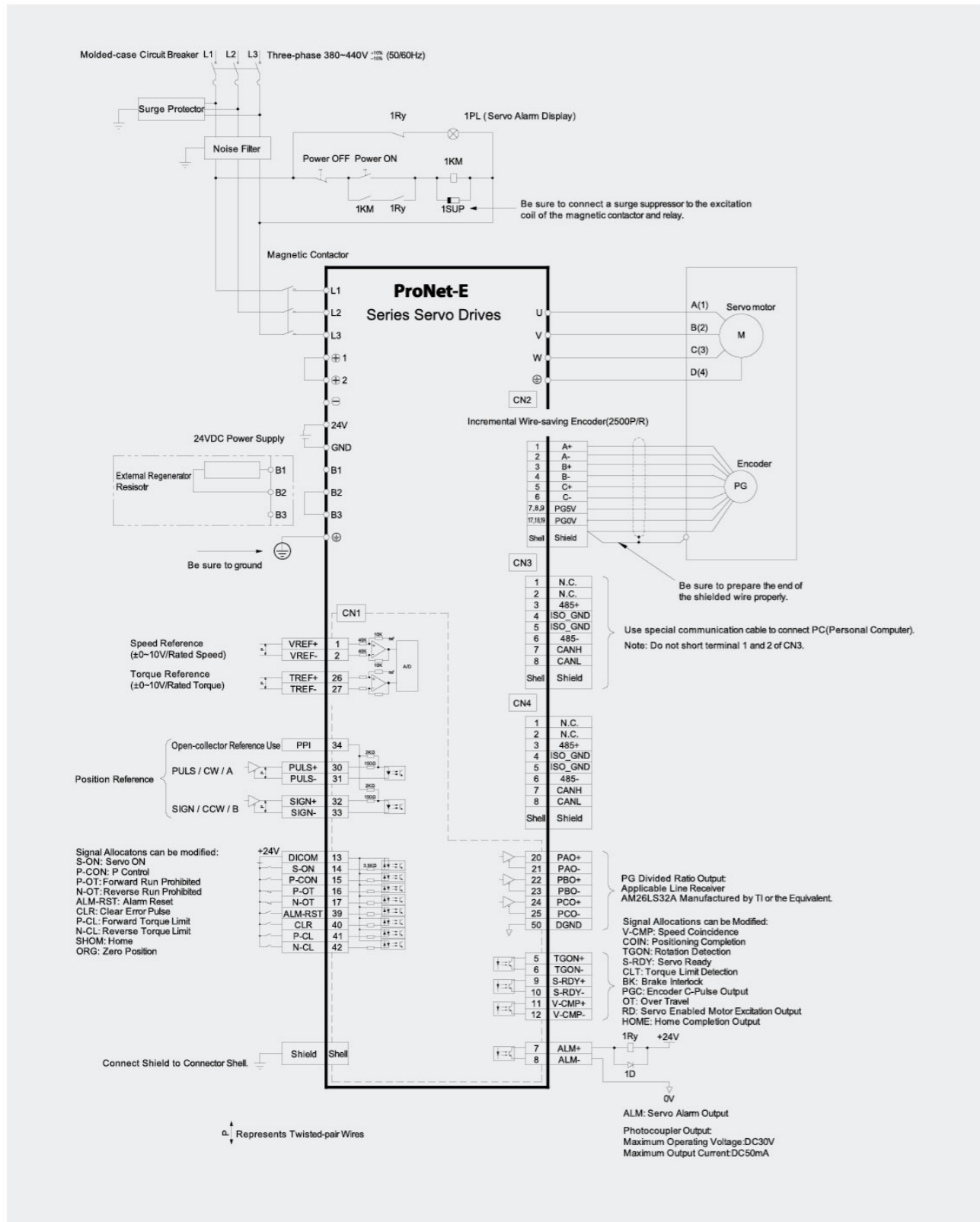


Three-phase 200VAC (ProNet-E-08A to 50A)

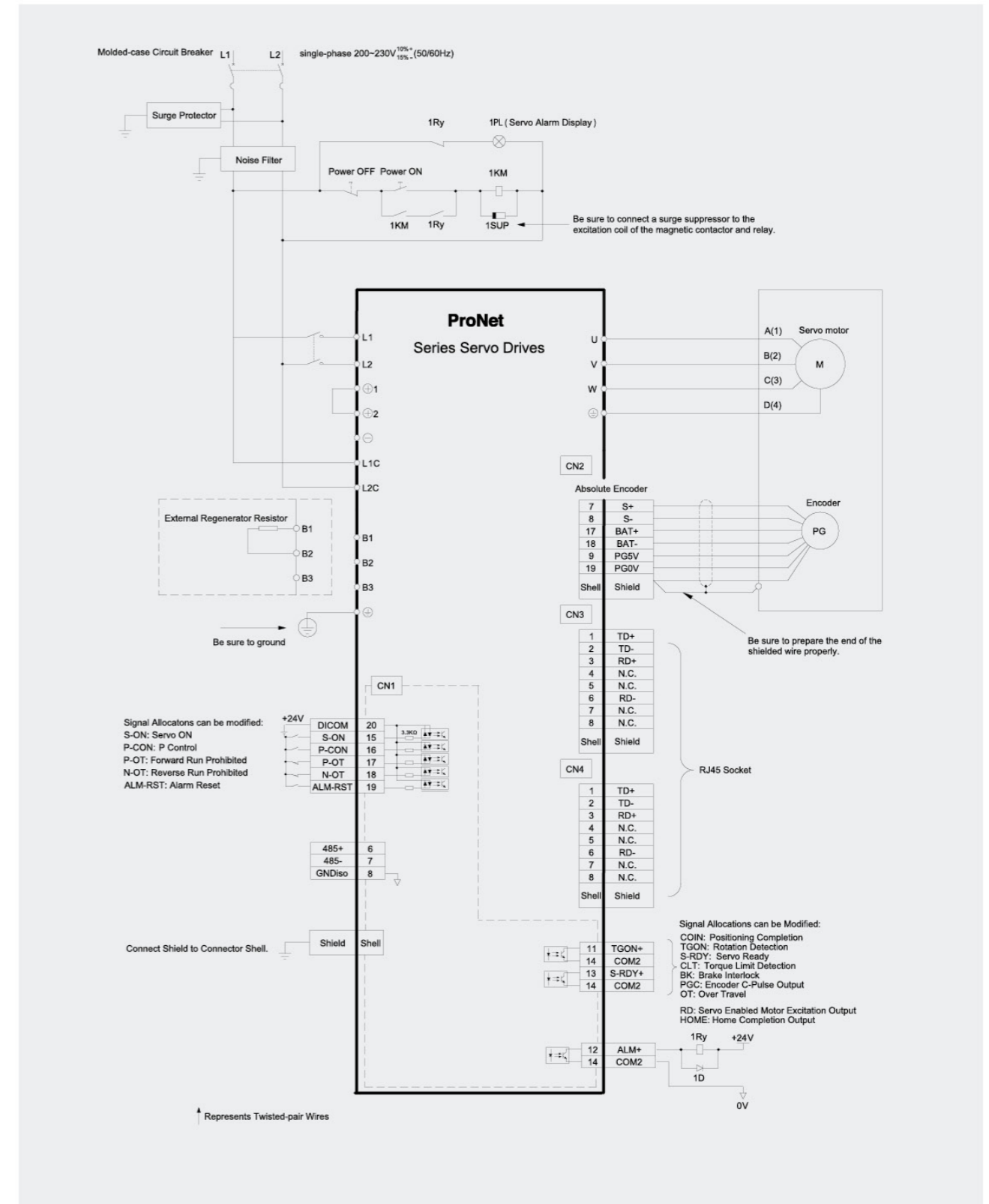


Notes: ① The L1, L2 and L1C, L2C terminals wiring method of ProNet-E-A5A~04A servo drives is different from other ProNet series servo drives. Please note the specific terminal definition while wiring.
 ② External regenerative resistor for ProNet-E-A5A~04A is provided by customer, the model of ASQ60W50ΩKGO resistor is recommended.
 ③ Change Pn521 from "1" to "0" when using the external regenerative resistor in ProNet-E-A5A~04A servo drives.

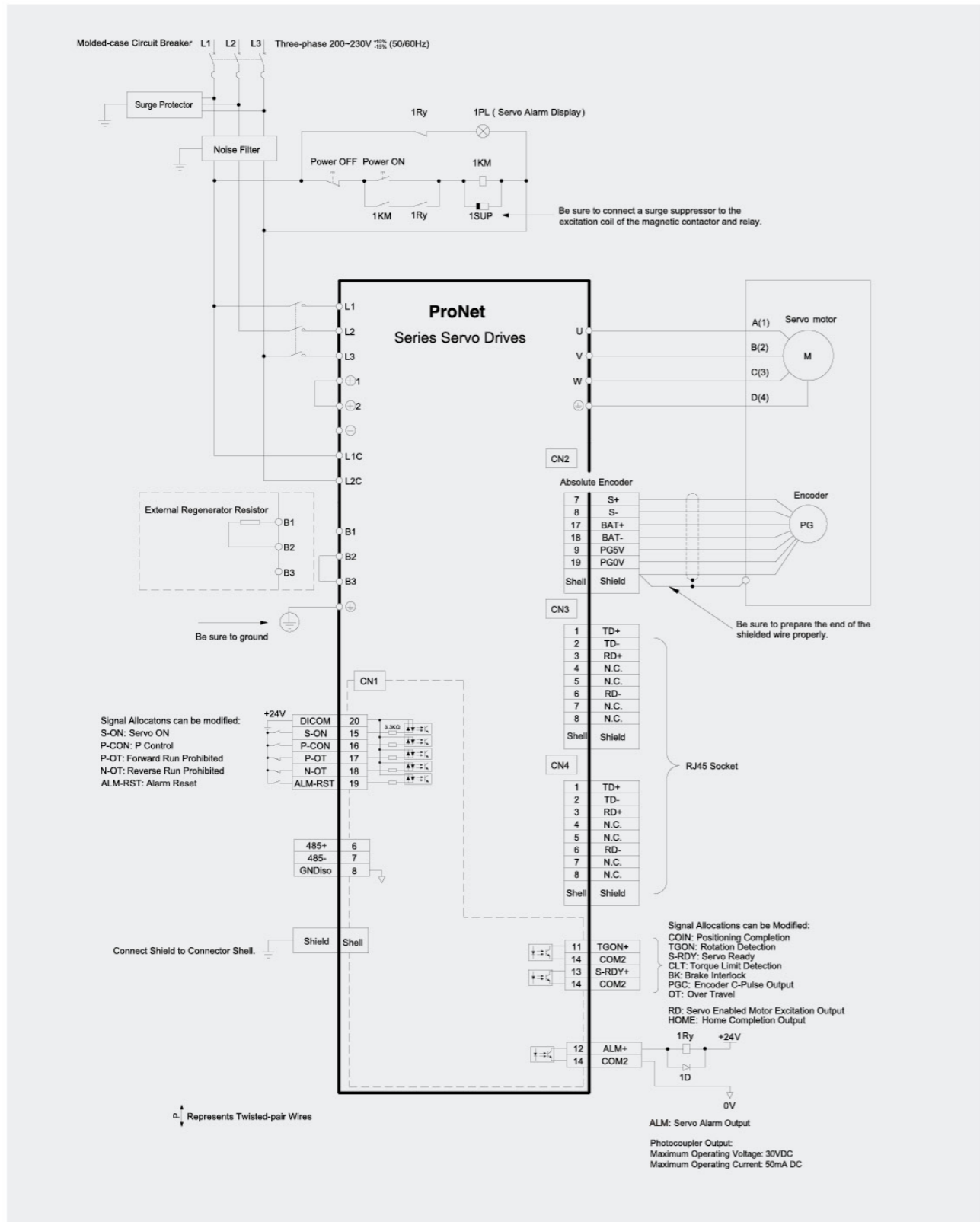
Three-phase 400VAC (ProNet-E-10D ~50D)



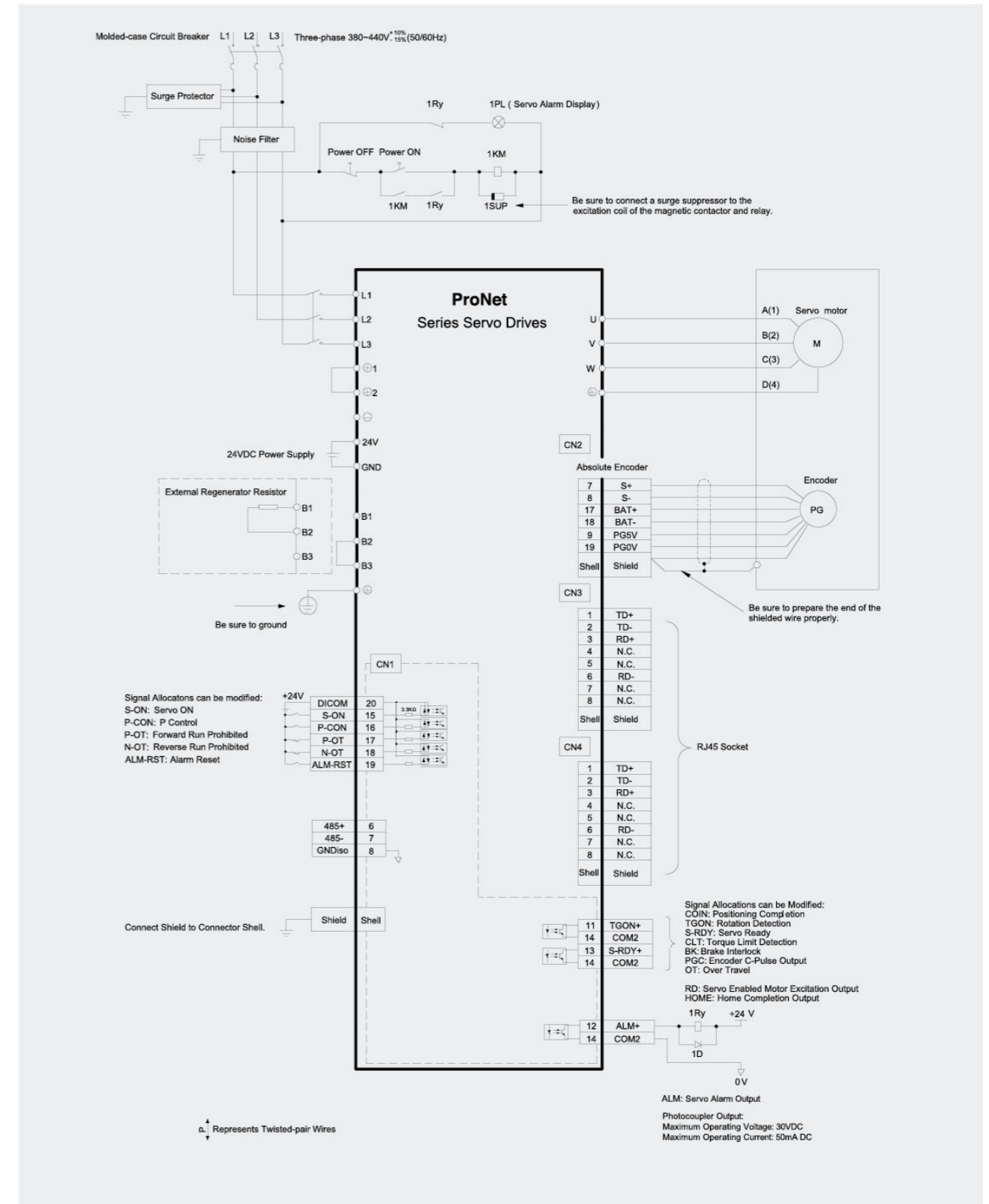
Single-phase 200VAC (ProNet-02AE□-EC to ProNet-04AE□-EC)



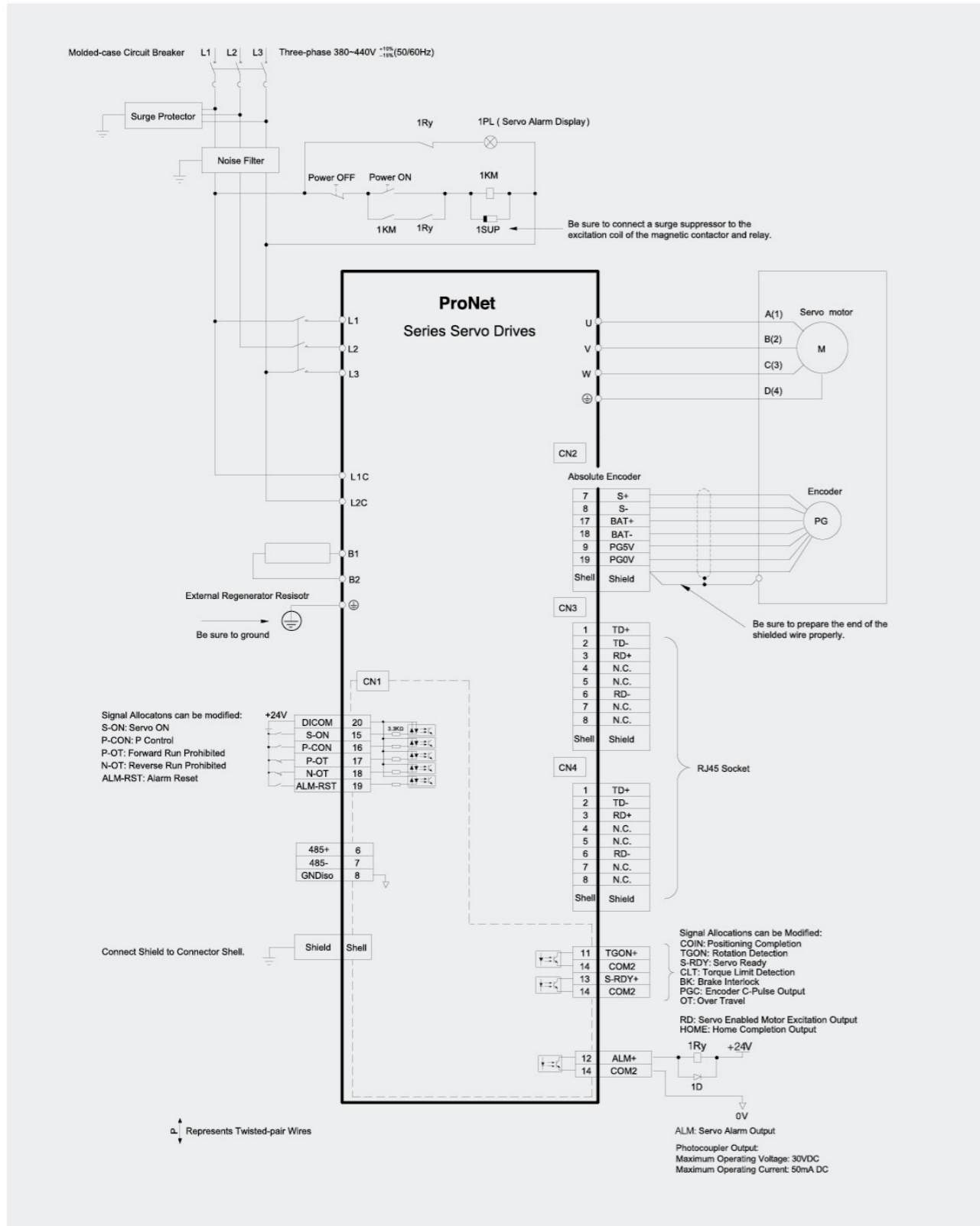
Three-phase 200VAC (ProNet-08AE□-EC to ProNet-50AE□-EC)



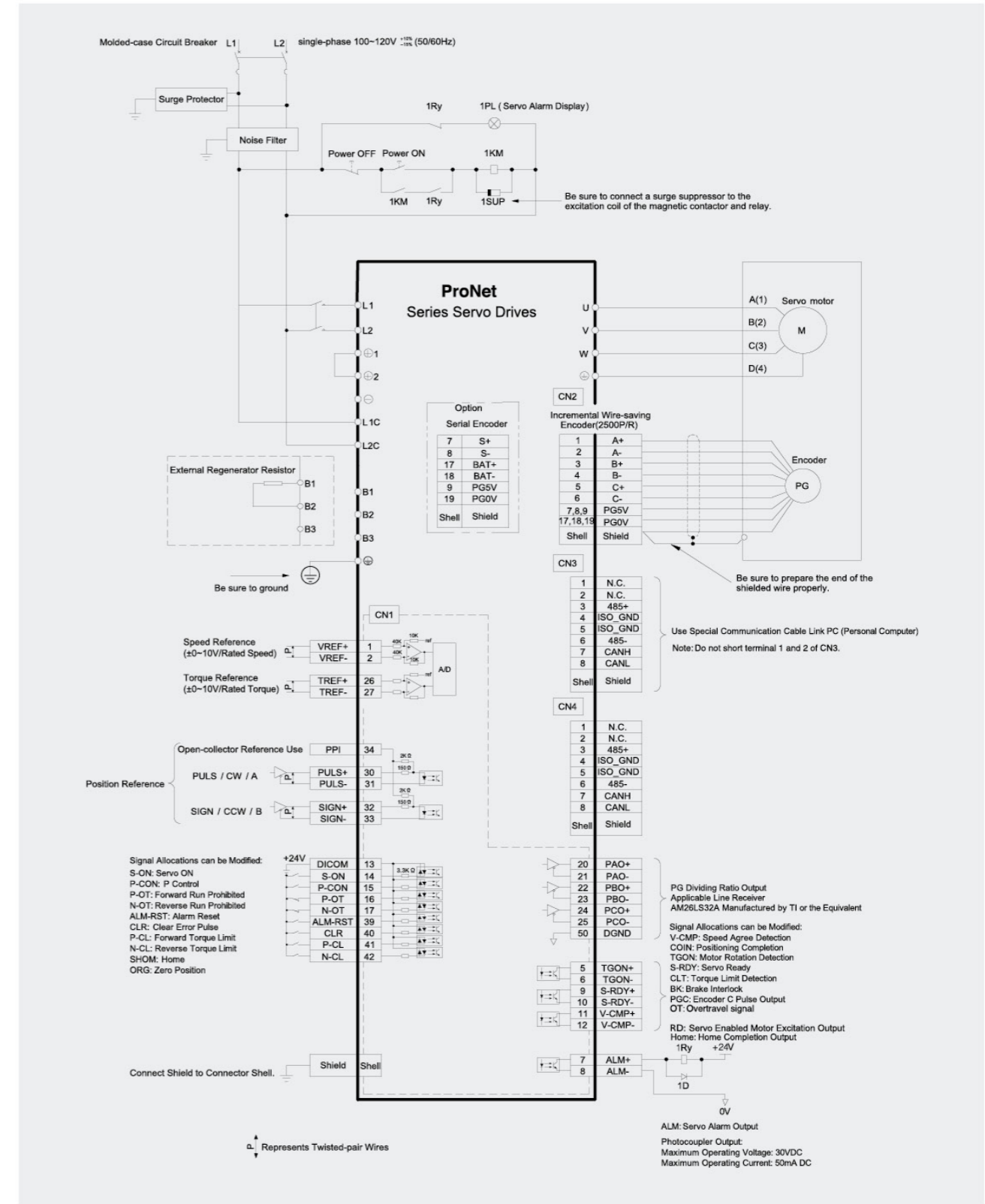
Three-phase 400VAC (ProNet-10DE□-EC to ProNet-50DE□-EC/ ProNet-70DEA-EC)



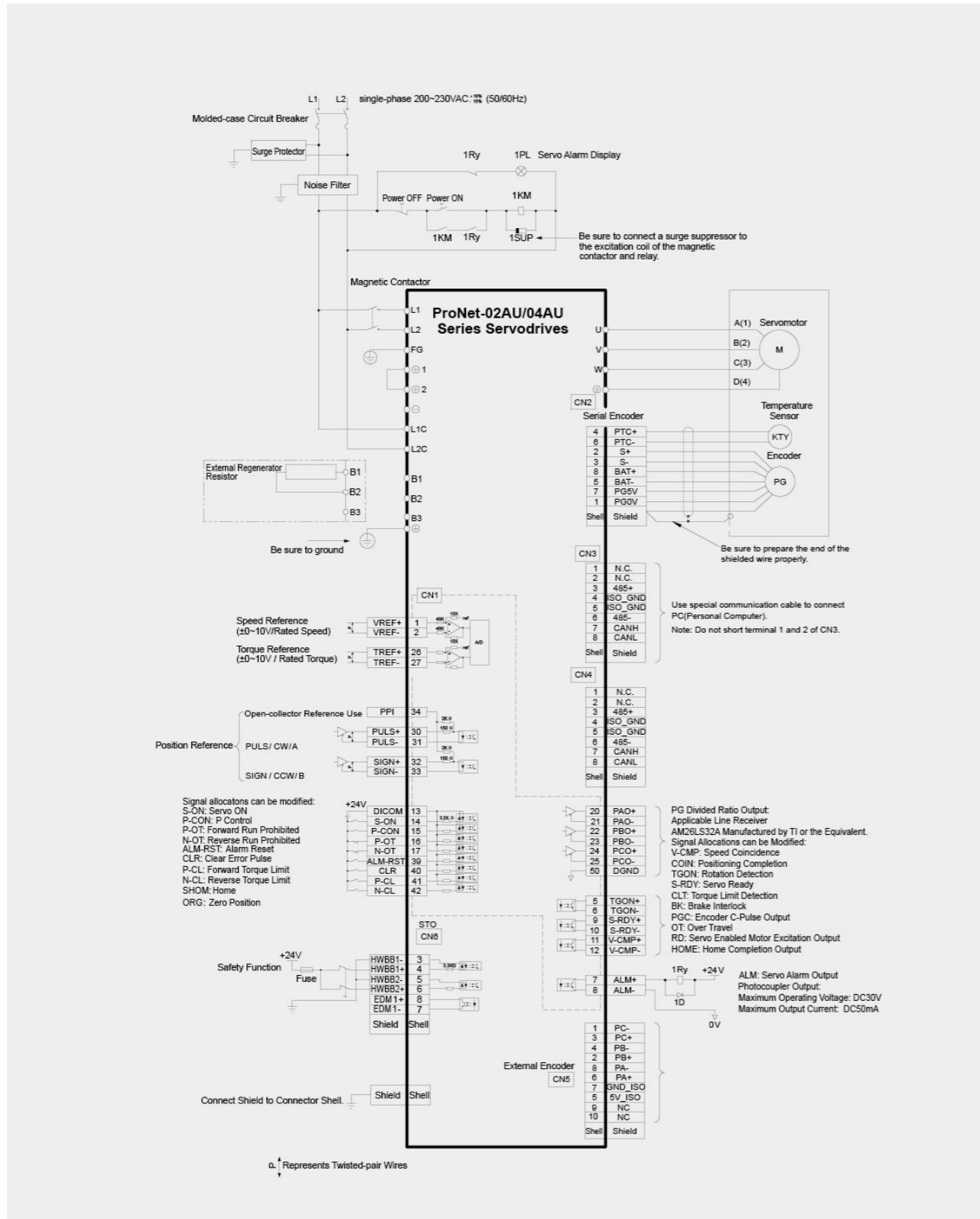
Three-phase 400VAC (ProNet-75DEA-EC to ProNet-2BDEA-EC)



Single-phase 100VAC (ProNet-02B/ProNet-E-02B)

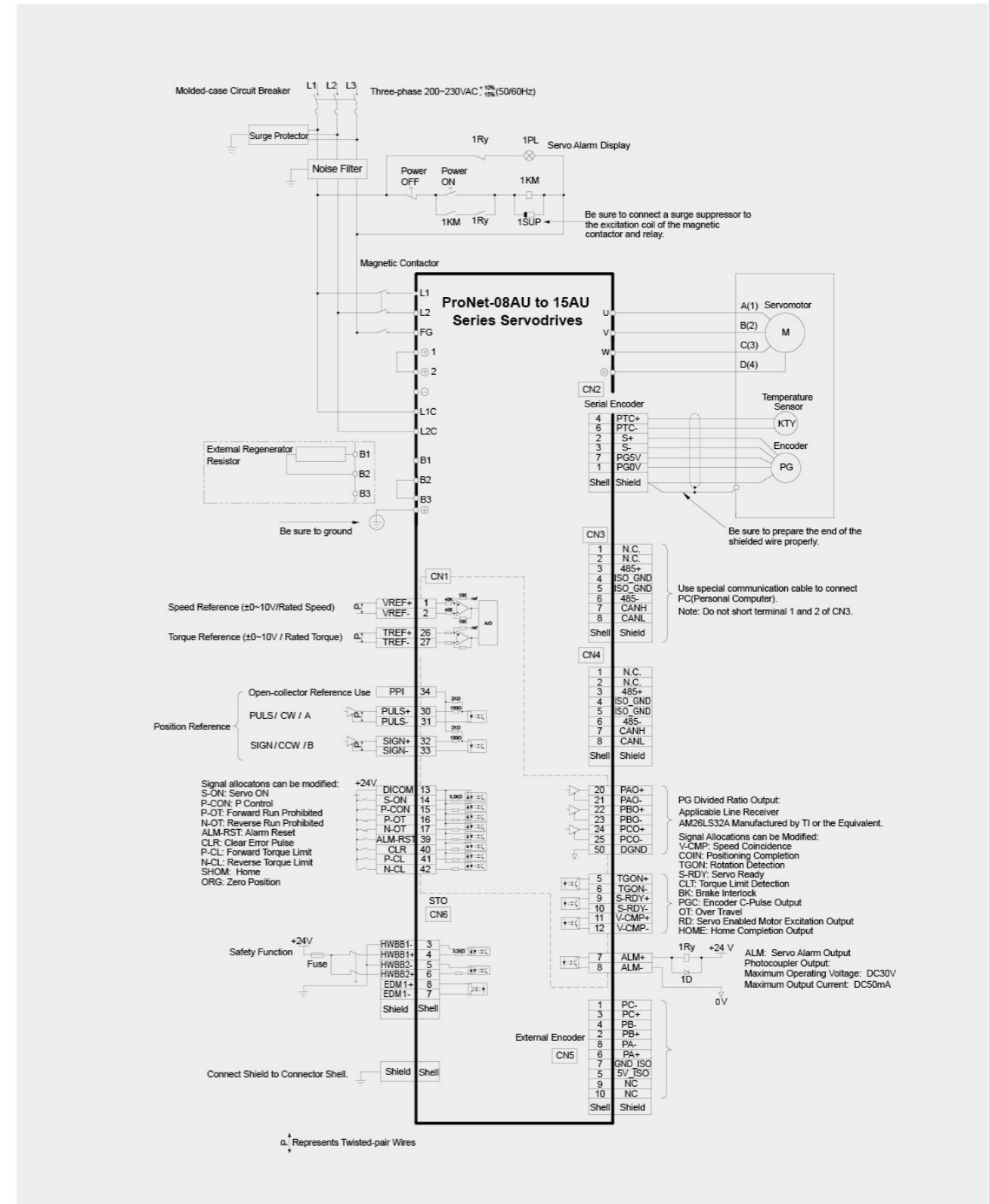


Single phase 200VAC(ProNet-02AU/04AU)



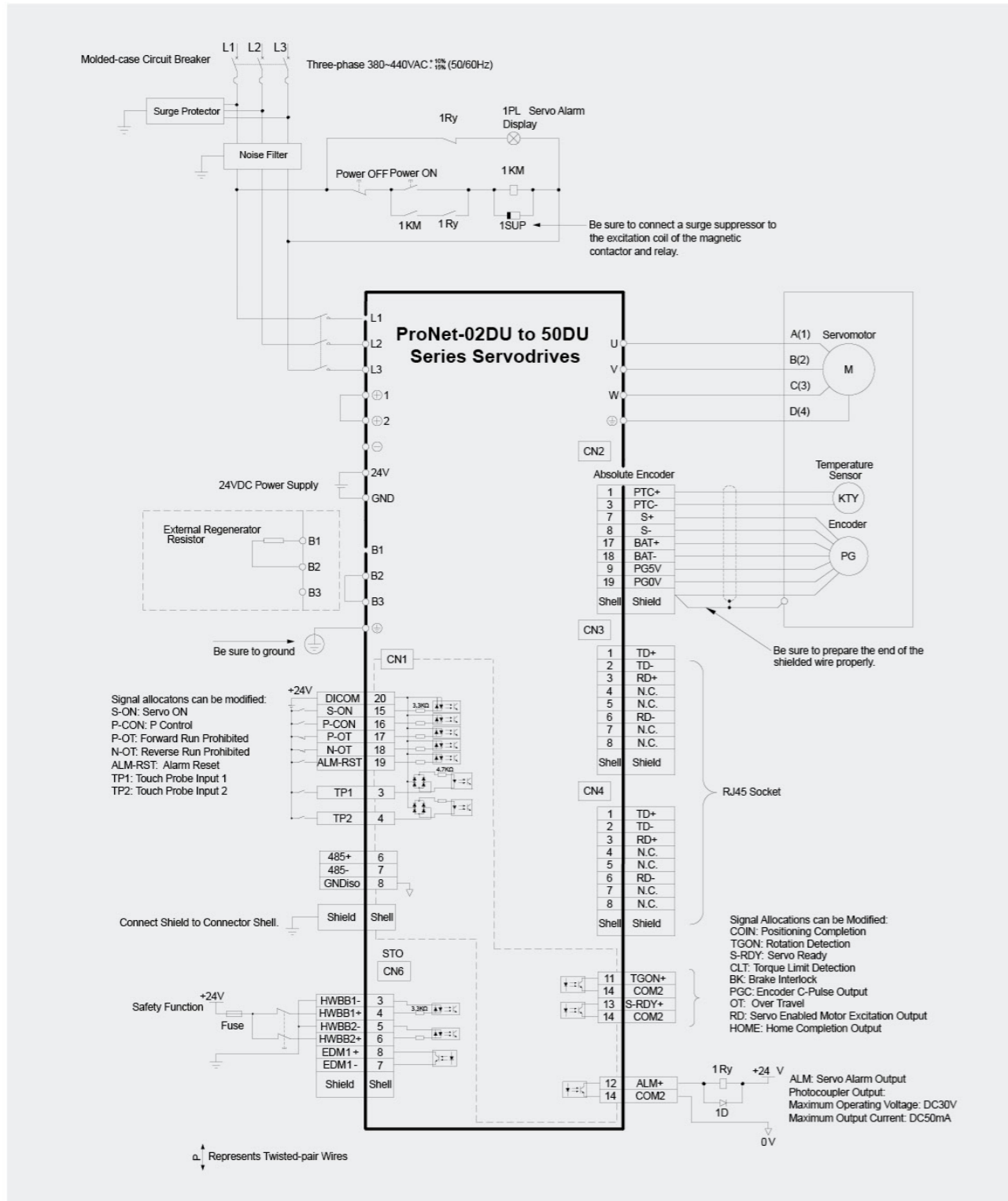
- Notes: ① Both incremental encoder and incremental grating ruler are recommended.
 ② In the case of using safety equipments, the servo part won't power on unless wire connection of the part for safety function is done. Plug the safety connector belonging to the servo cell named (1971153-1) in the connect CN6 on the condition the safety function isn't in use.

Three phase 200VAC(ProNet-08AU to 15AU)



- Notes: ① Both incremental encoder and incremental grating ruler are recommended, Support single-phase power supply.
 ② In the case of using safety equipments, the servo part won't power on unless wire connection of the part for safety function is done. Plug the safety connector belonging to the servo cell named (1971153-1) in the connect CN6 on the condition the safety function isn't in use.

Three phase 400VAC(ProNet-02DU to 50DU)

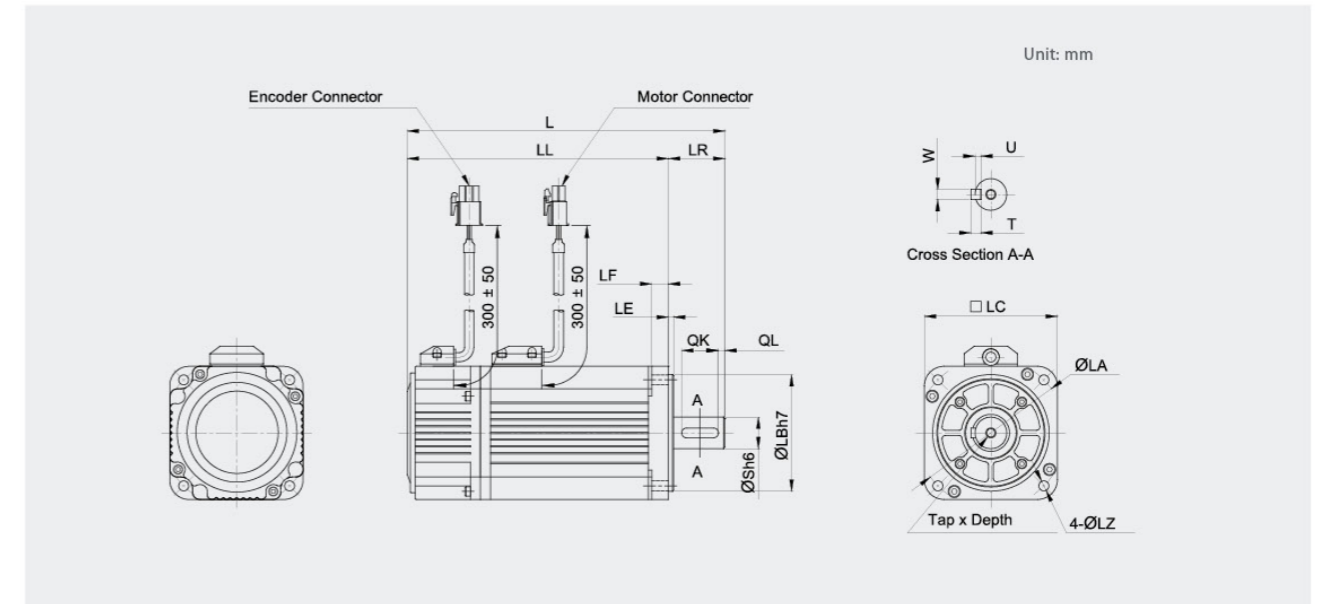


Notes: In the case of using safety equipments, the servo part won't power on unless wire connection of the part for safety function is done. Plug the safety connector belonging to the servo cell named (1971153-1) in the connect CN6 on the condition the safety function isn't in use.

Dimension

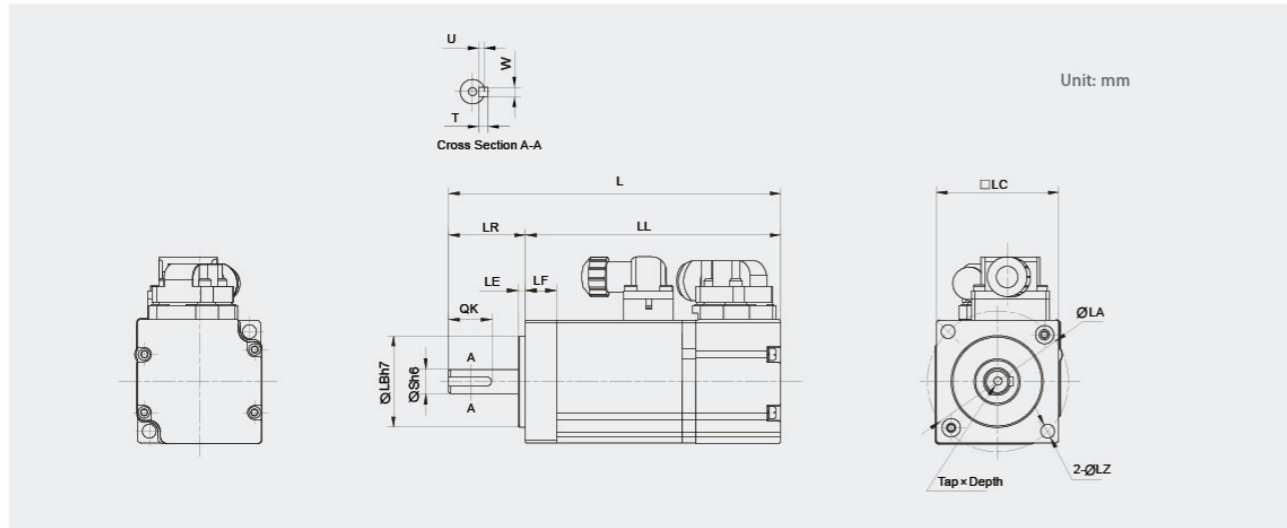
Servo Drive

EMJ Dimension



Model EMJ-	L	LL	Dimension							S	Tap×Depth	Key			
			LR	LE	LF	LC	LA	LB	LZ			QK	QL	W	T
02□P	141(181)	111(151)	30	6	60	70	50	5.5	14	M5×10L	16	5	5	3	
02□D	141	111													
02□S	154(194)	124(164)													
04□P/FA/B	161(201)	131(171)	3	9	80	90	70	7	19	M6×15L	22	6	6	3.5	
04□D	161	131													
04□S	174(214)	144(184)													
08□P/F	173(216)	138(181)	35	6	60	70	50	5.5	14	M5×10L	16	5	5	3	
08□D	173	138													
08□S	186(229)	151(194)													
10□P/F	191(234)	156(199)	30	6	60	70	50	5.5	14	M5×10L	16	5	5	3	
10□D	191	156													
10□S	204(247)	169(212)													
04□P/FH	172(212)	142(182)	30	6	60	70	50	5.5	14	M5×10L	16	5	5	3	
04□SH	182(222)	152(192)													

Note: The dimension in parentheses are for servo motors with holding brakes.



Model EMJ-	L	LL	Dimension							S	Tap×Depth	Key				
			LR	LE	LF	LC	LA	LB	LZ			QK	QL	W	T	U
01□D/P	125(159.5)	100(134.5)	25	2.5	10	40	46	30	4.5	8	CM3x6L	14	-	3	3	1.8
A5□D/P	108(142.5)	83(117.5)	25	2.5	10	40	46	30	4.5	8	CM3x6L	14	-	3	3	1.8

Note: The dimension in parentheses are for servo motors with holding brakes.

Motor Connector Specification for EMJ-A5/01□P/D

- Plug: SC-MC4S-A1(SUNCHU)
- Receptacle: SC-MC4P-A1(SUNCHU)

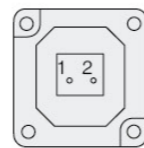


Pin No.	Signal
1	V
2	W
3	U
4	PE

Brake Connector Specification for EMJ-A5/01□P/D

- Plug: SC-MC2S-A1(SUNCHU)
- Receptacle: SC-MC2P-A1(SUNCHU)

Pin No.	Signal
1	B1
2	B2



Encoder Connector Specification for EMJ-A5/01□P

- Plug: SC-MC9S-A1(SUNCHU)
- Receptacle: SC-MC9P-A1(SUNCHU)



Pin No.	Signal
1	A+
2	A-
3	B+
4	B-
5	C+
6	C-
7	PG5V
8	PG0V
9	FG

Encoder Connector Specification for EMJ-A5/01□D

- Plug: SC-MC9S-A1(SUNCHU)
- Receptacle: SC-MC9P-A1(SUNCHU)

Pin No.	Signal
1	-
2	-
3	S+
4	S-
5	-
6	-
7	PG5V
8	PG0V
9	FG



Motor Connector Specification for EMJ-02/04/08/10□P

- Plug: 172167-1(AMP)
- Pin: 170360-1(AMP)



Pin No.	Signal
1	U
2	V
3	W
4	FG

Brake Connector Specification for EMJ-02/04/08/10□P

- Plug: 172165-1(AMP)
- Pin: 170360-1(AMP)



Pin No.	Signal
1	B1
2	B2

Encoder Connector Specification for EMJ-02/04/08/10□P

- Plug: 172169-1(AMP)
- Pin: 170359-3(AMP)



Pin No.	Signal
1	A+
2	B+
3	C+
4	A-
5	B-
6	C-
7	PG5V
8	PG0V
9	FG

Encoder Connector Specification for EMJ-02/04/08/10□D/S

- Plug: CGRSD-7BFMA-SL8001
- Incremental / Absolute Encoder



Pin No.	Signal
1	S+
2	S-
3	BAT+
4	BAT-
5	PG5V
6	PG0V
7	FG

★ Note : There are no BAT+,BAT- signal in incremental encoder.

Motor Connector Specification for EMJ-02/04/08/10□P-Waterproof(option)

Motor Connector Specification for EMJ-02/04/08/10□D/S



- Plug: CGRSB-4BFMA-SL8001

Pin No.	Signal
1	U
2	V
3	W
4	FG

Encoder Connector Specification for EMJ-02/04/08/10□P-Waterproof(option)

Incremental Encoder(Wire-saving)

- Plug: CGRSD-9BFMA-SL8001



Pin No.	Signal
1	A+
2	A-
3	B+
4	B-
5	C+
6	C-
7	PG5V
8	PG0V
9	FG

Brake Connector Specification for EMJ-02/04/08/10□P-Waterproof(option)

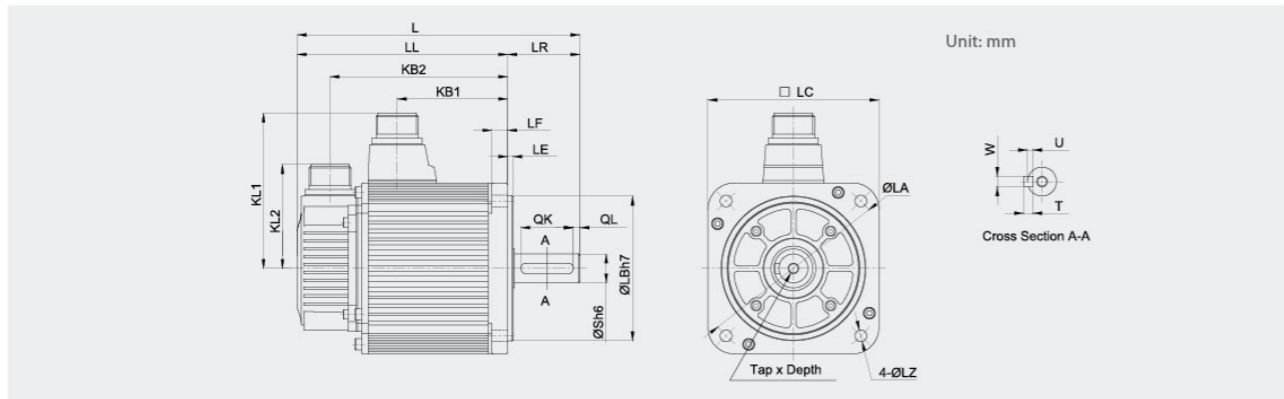
Brake Connector Specification for EMJ-02/04/08/10□D/S



- Plug: CGRSB-2BFMA-SL8001

Pin No.	Signal
1	B1
2	B2

EMG Dimension

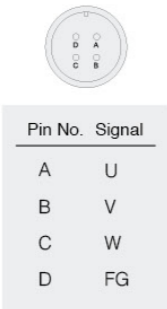


Model EMG-	L	LL	KB1	KB2	KL1	KL2	Dimension							S	Tap xDepth	Key				
							LR	LE	LF	LC	LA	LB	LZ			QK	QL	W	T	U
10□P/S/A	215(269.5)	160(214.5)	84	135(189.5)	118	79	55	4	12	130	145	110	9	22	M6x20L	40	5	8	7	4
10□DA	215	160	84	135(192)	118	79	55	4	12	130	145	110	9	22	M6x20L	40	5	8	7	4
15□P/S/A	240(294.5)	185(239.5)	109	160(214.5)	118	79	55	4	12	130	145	110	9	22	M6x20L	40	5	8	7	4
15□DA	240	185	109	160(217)	118	79	55	4	12	130	145	110	9	22	M6x20L	40	5	8	7	4
20□P/S/A	265(319.5)	210(264.5)	134	185(239.5)	118	79	55	4	12	130	145	110	9	22	M6x20L	40	5	8	7	4
20□DA	265	210	134	185(242)	118	79	55	4	12	130	145	110	9	22	M6x20L	40	5	8	7	4
30□□	307(378)	228(299)	143	203(274)	140	79	79	3.2	18	180	200	114.3	13.5	35	M8x16L	55	6	10	8	5
50□□	357(428)	278(349)	183	253(324)	140	79	79	3.2	18	180	200	114.3	13.5	35	M8x16L	55	6	10	8	5

Note: The dimension in parentheses are for servo motors with holding brakes.

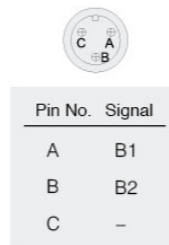
Motor Connector Specification

- Receptacle: MS3102A20-4P (LC=130)
MS3102A22-22P (LC=180)
- Plug: MS3108B20-4S (LC=130)
MS3108B22-22S (LC=180)
- Cable Clamp: MS3057-12A



Brake Connector Specification

- Receptacle: MS3102A10SL-3P
- Plug: MS3106A10SL-3S
- Cable Clamp: MS3057-4A



Encoder Connector Specification

- Receptacle: MS3102A20-29P
- Plug: MS3108B20-29S
- Cable Clamp: MS3057-12A



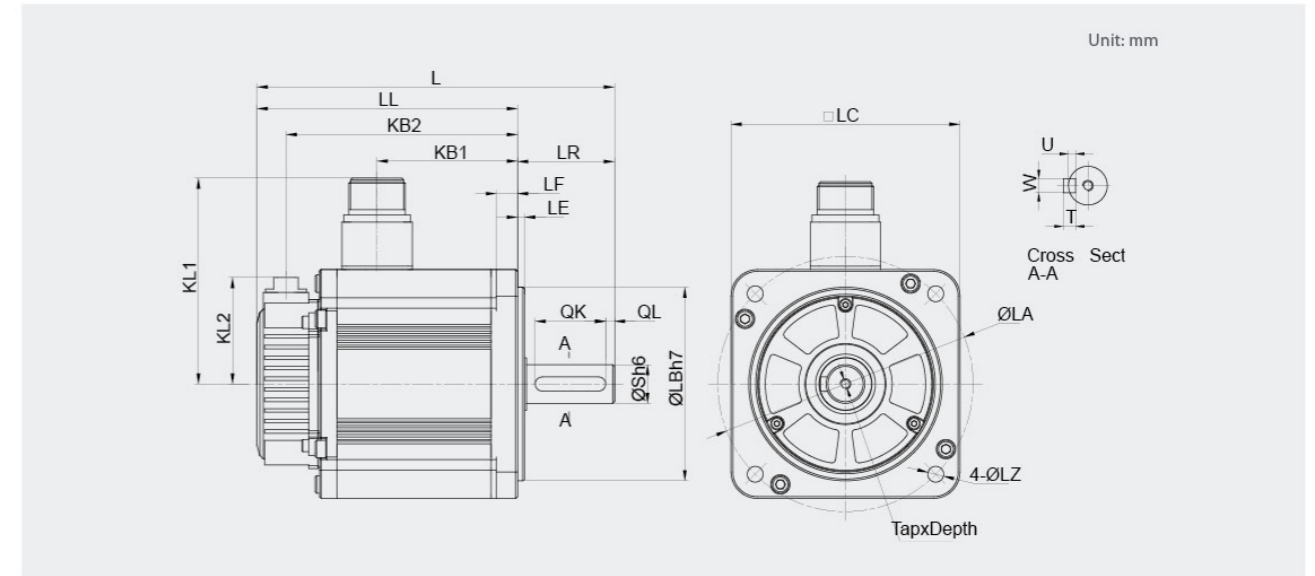
Wire-saving Incremental Encoder

Pin No.	Signal
A	A+
B	A-
C	B+
D	B-
E	C+
F	C-
G	PG0V
H	FG5V
J	FG

Incremental / Absolute Encoder

Pin No.	Signal
K	S+
L	S-
★T	BAT+
★S	BAT-
H	PG5V
G	PG0V
J	FG

★ Note : There are no BAT+,BAT- signal in incremental encoder.

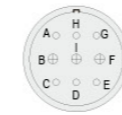


Model EMG-	L	LL	KB1	KB2	KL1	KL2	Dimension							S	TapxDepth	Key				
							LR	LE	LF	LC	LA	LB	LZ			QK	QL	W	T	U
10□□B	203(245.5)	148(190.5)	80(103.2)	131.5(174)	117	60.5	55	4	12	130	145	110	9	22	M6x20L	40	5	8	7	4
15□□B	225(267.5)	170(212.5)	102(125.2)	153.5(196)	117	60.5	55	4	12	130	145	110	9	22	M6x20L	40	5	8	7	4
20□□B	247(289.5)	192(234.5)	124(147.2)	175.5(218)	117	60.5	55	4	12	130	145	110	9	22	M6x20L	40	5	8	7	4

Note: The dimension in parentheses are for servo motors with holding brakes.

Motor Connector Specification

- Receptacle: HMS3102E20-18P
- Plug: HMS3106AE20-18S



Pin No.	Signal
A	-
B	U
C	FG
D	FG
E	-
F	W
★G	B1
★H	B2
I	V

★ Note : There are no B1,B2 signals in motor without brake.

Encoder Connector Specification

- Receptacle: M-CAN-CM1002-10P
- Plug: M-CAN-CM1008-10S



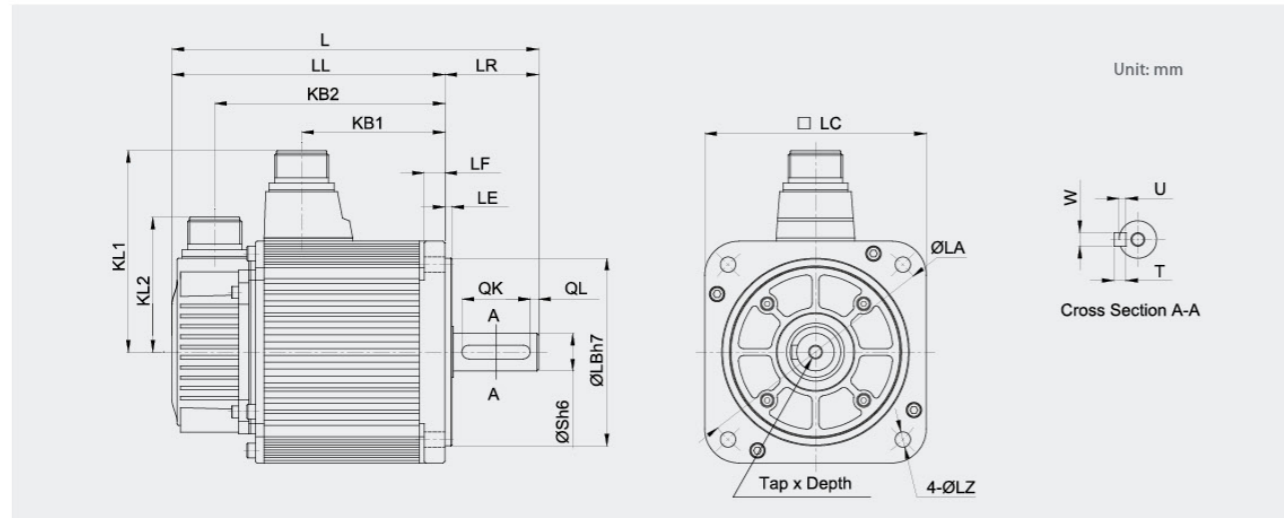
Wire-saving Incremental Encoder

Pin No.	Signal
1	A+
2	A-
3	B+
4	B-
5	C+
6	C-
7	PG0V
8	PG5V
10	FG

Incremental / Absolute Encoder

Pin No.	Signal
1	S+
2	S-
3	BAT+
4	BAT-
7	PG0V
8	PG5V
10	FG

EML Dimension



Model EML-	L	LL	KB1	KB2	KL1	KL2	Flange side							S	TapxDepth	Key				
							LR	LE	LF	LC	LA	LB	LZ			QK	QL	W	T	U
10□□□□□	265(319.5)	210(264.5)	134	185(187.5)	118	79	55	4	12	130	145	110	9	22	M6x20L	40	5	8	7	4
20□□A□□	332(401)	253(322)	168	228(245)	140	79	79	3.2	18	180	200	114.3	13.5	35	M8x16L	55	6	10	8	5
30□□A□□	372(443)	293(364)	208	268(287)	140	79	79	3.2	18	180	200	114.3	13.5	35	M8x16L	55	6	10	8	5
40□□A□□	412(478)	333(399)	243	308(322)	140	79	79	3.2	18	180	200	114.3	13.5	35	M8x16L	55	6	10	8	5

Note: The dimension in parentheses are for servo motors with holding brakes.

Motor Connector Specification

- Receptacle: MS3102A20-4P (LC=130) MS3102A22-22P (LC=180)
- Plug: MS3108B20-4S (LC=130) MS3108B22-22S (LC=180)
- Cable Clamp: MS3057-12A



Pin No.	Signal
A	U
B	V
C	W
D	FG

Encoder Connector Specification

- Receptacle: MS3102A20-29P
- Plug: MS3108B20-29S
- Cable Clamp: MS3057-12A



Incremental / Absolute Encoder

Pin No.	Signal
K	S+
L	S-
★T	BAT+
★S	BAT-
H	PG5V
G	PG0V
J	FG

★ Notes: There are no BAT+, BAT- signal in incremental encoder.

Wire-saving Incremental Encoder

Pin No.	Signal
A	A+
B	A-
C	B+
D	B-
E	C+
F	C-
G	PG0V
H	PG5V
J	FG

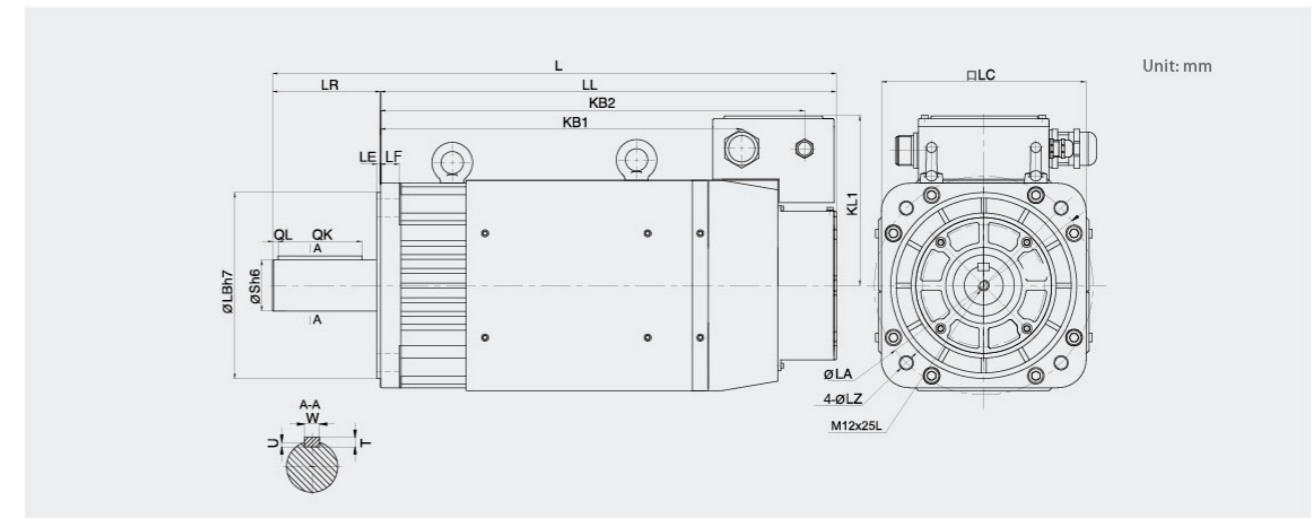
Brake Connector Specification

- Receptacle: MS3102A10SL-3P
- Plug: MS3106A10SL-3S
- Cable Clamp: MS3057-4A



Pin No.	Signal
A	B1
B	B2
C	-

EMB Dimension



Model EMB-	L	LL	KB2	KB1	KL1	Dimension							S	TapxDepth	Key				
						LR	LE	LF	LC	LA	LB	LZ			QK	QL	W	T	U
75D□□	530 (625)	414 (509)	366 (461)	302 (397)	184	116	4	20	220	235	200	13.5	42	M16x32L	90	6	12	8	5
1AD□□	580 (675)	464 (559)	416 (511)	352 (447)	184	116	4	20	220	235	200	13.5	42	M16x32L	90	6	12	8	5
1ED□□	615 (710)	499 (594)	451 (546)	387 (482)	184	116	4	20	220	235	200	13.5	55	M20x40L	90	6	16	10	6
2BD□□	720	572	523	432	250	145	5	30	280	300	250	19	60	M12x25L	128	6	18	11	7

Note: The dimension in parentheses are for servo motors with holding brakes.



Encoder Connector Specification

- Receptacle: MS3102A20-29P
- Plug: MS3108B20-29S
- Cable Clamp: MS3057-12A

Absolute Encoder

Pin No.	Signal
K	S+
L	S-
T	BAT+
S	BAT-
H	PG5V
G	PG0V
J	FG

Resolver

Pin No.	Signal
K	SIN+
L	SIN-
T	COS+
S	COS-
H	R1
G	R2
J	FG
N	Sensor1
R	Sensor2

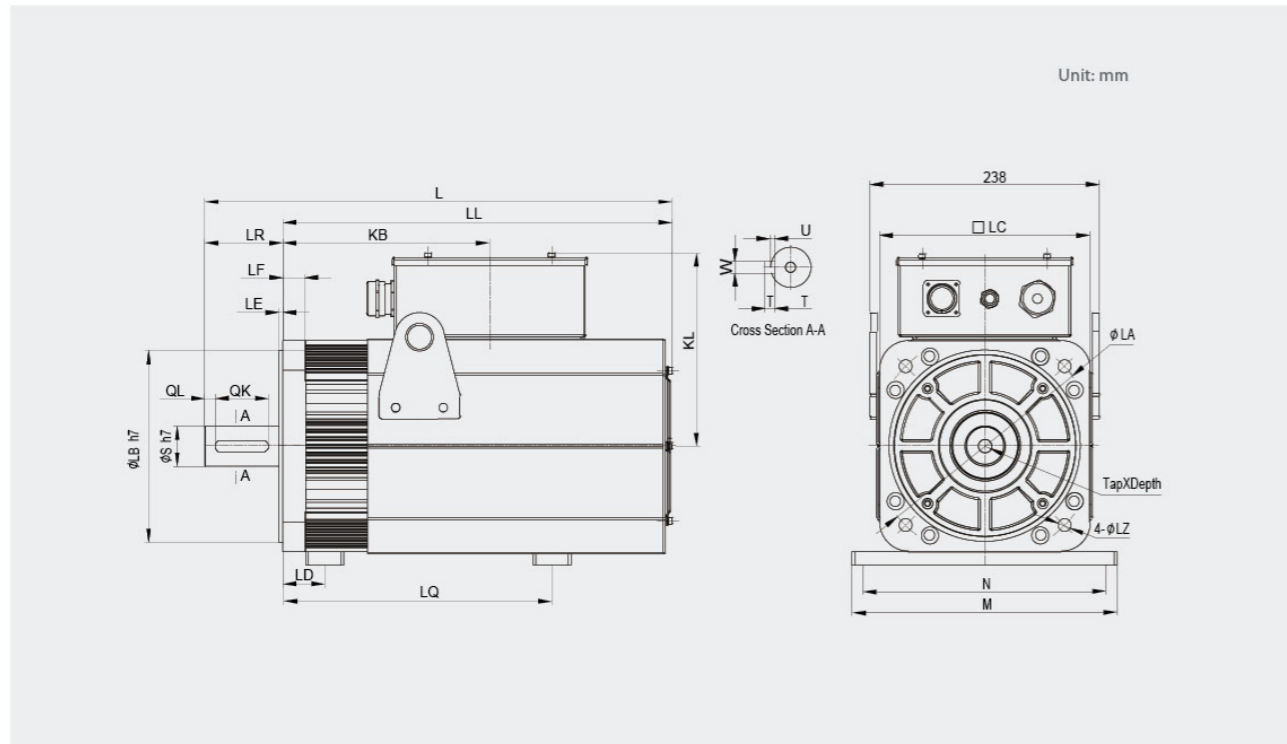
Brake Connector Specification

- Receptacle: MS3102A10SL-3P
- Plug: MS3106A10SL-3S
- Cable Clamp: MS3057-4A



Pin No.	Signal
A	B1
B	B2
C	-

EMB for Low Inertia Dimension



Model	L	LL	KB	KL	LR	LE	LF	LC	LA	LB	LZ	S	Tap×Depth	Key					LD	LQ		
														QK	QL	W	T	U			M	N
EMB-3CDRA	679	597	406	202	82	4	23	220	235	200	13.5	42	M16×42	56	11	12	8	5	278	254	44	471
EMB-2FDRA	627	545	354	202	82	4	23	220	235	200	13.5	42	M16×42	56	11	12	8	5	278	254	44	419
EMB-2ADRA	574	492	301	202	82	4	23	220	235	200	13.5	42	M16×42	56	11	12	8	5	278	254	44	366
EMB-1FDRA	522	440	249	202	82	4	23	220	235	200	13.5	42	M16×42	56	11	12	8	5	278	254	44	314
EMB-1CDRA	489	407	216	202	82	4	23	220	235	200	13.5	42	M16×42	56	11	12	8	5	278	254	44	281
EMB-1ZDRA	469	387	196	202	82	4	23	220	235	200	13.5	42	M16×42	56	11	12	8	5	278	254	44	261



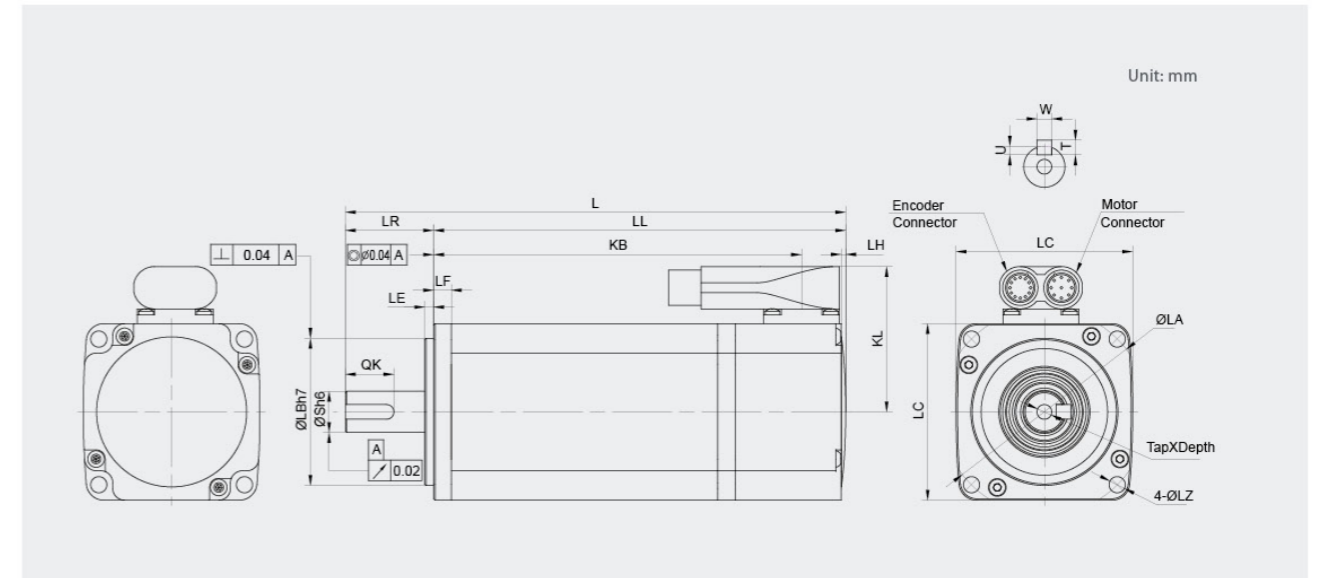
Encoder Connector Specification

- Receptacle: MS3102A20-29P
- Plug: MS3108B20-29S
- Cable Clamp: MS3057-12A

Resolver

Pin No.	Signal
K	SIN+
L	SIN-
T	COS+
S	COS-
H	R1
G	R2
J	FG
N	Sensor1
R	Sensor2

EMS Dimension



Model	EMS-	L	LL	KB	KL	Dimension							S	Tap×Depth	Key				
						LR	LE	LF	LC	LA	LB	LH			LZ	W	U	T	QK
02	□F	135.5(170)	105.5(140)	90(125)	49	30	3	6	60	70	50	1.5	5.5	14	M5×8L	5	3	5	16.5
04	□F	160.5(195)	130.5(165)	115.5(150)	49	30	3	6	60	70	50	1.5	5.5	14	M5×8L	5	3	5	16.5

Note: The dimensions in parentheses are for servo motors with holding brakes.

Motor Connector Specification

- Receptacle: EEDA101NN0000001000
- Pin: 61.231.11 (intercontec)



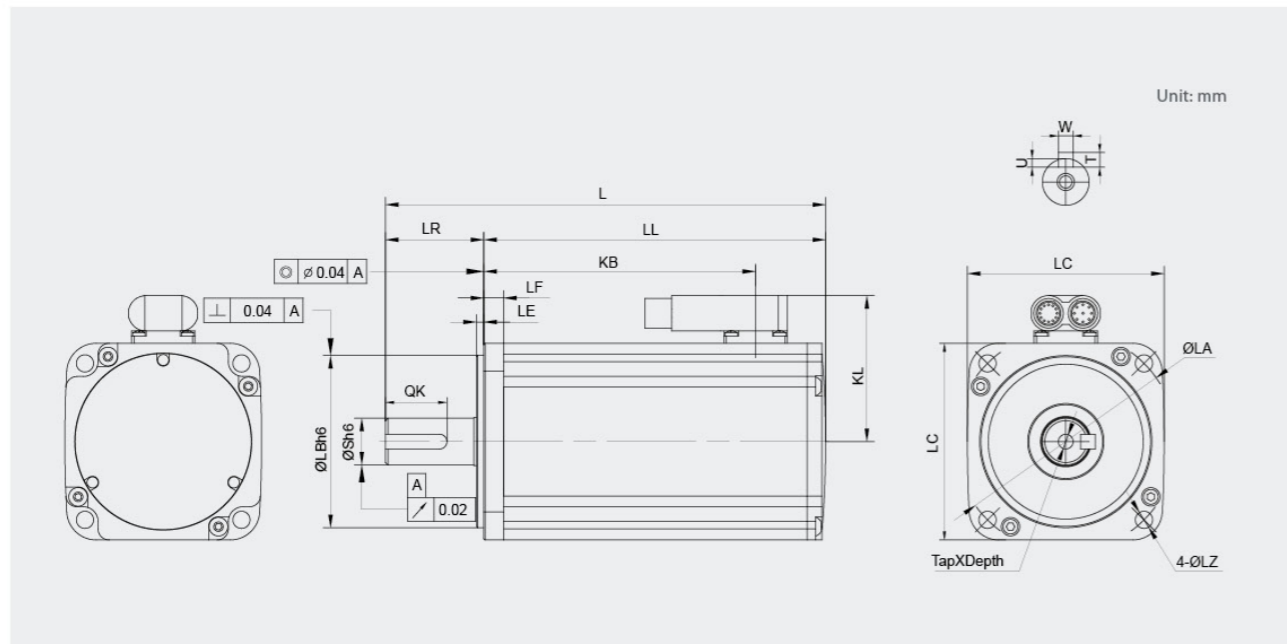
Pin No.	Signal
A	U
B	V
C	W
⊕	FG
1	B1
2	B2

Encoder Connector Specification

- Receptacle: EEDA101NN0000001000
- Pin: 61.232.11 (intercontec)



Pin No.	Signal
1	SD+
2	SD-
3	Vcc
4	Gnd
5	BAT+
6	BAT-
7	Sensor1
8	Sensor2
9	FG



Model EMS-	L	LL	KB	KL	Dimension							S	Tap×Depth	Key			
					LR	LE	LF	LC	LA	LB	LZ			W	U	T	QK
08□F	179(219)	139(179)	111.5(151.5)	59	40	3	8	80	90	70	7	19	M6×10L	6	3.5	6	25

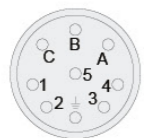
Note: The dimensions in parentheses are for servo motors with holding brakes.

Motor Connector Specification

- Receptacle; EEDA101NN0000001000
- Pin; 61.231.11 (intercontec)

Encoder Connector Specification

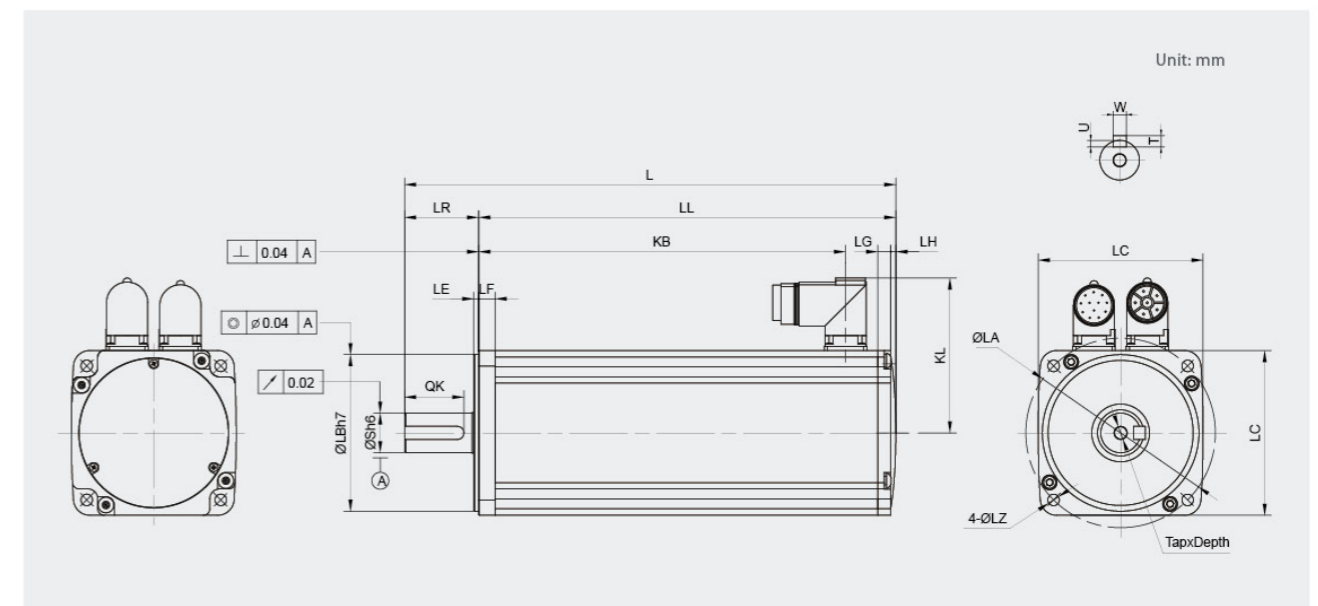
- Receptacle; EEDA101NN0000001000
- Pin; 61.232.11 (intercontec)



Pin No.	Signal
A	U
B	V
C	W
⊕	FG
1	B1
2	B2



Pin No.	Signal
1	SD+
2	SD-
3	Vcc
4	Gnd
5	BAT+
6	BAT-
7	Sensor1
8	Sensor2
9	FG



EMS-	L	LL	KB	KL	Dimension									S	Key			
					LR	LE	LF	LC	LA	LB	LG	LH	LZ		W	U	T	QK
10□F	209(244)	164(199)	133.5(168.5)	94	45	3	10	100	115	95	8	3	7	24	8	4	7	36
15□F	220(263)	175(218)	144.5(187.5)	94	45	3	10	100	115	95	8	3	7	24	8	4	7	36
20□F	237(281)	192(236)	161.8(205.5)	94	45	3	10	100	115	95	8	3	7	24	8	4	7	36
25□F	260(300)	215(255)	184.5(224.5)	94	45	3	10	100	115	95	8	3	7	24	8	4	7	36
30□F	276(309.9)	213(246.9)	180.5(214.4)	109	63	6	14	130	145	110	9	3.5	9	28	8	4	7	54
40□F	313.5(347.4)	250.5(284.4)	218(251.9)	109	63	6	14	130	145	110	9	3.5	9	28	8	4	7	54
50□F	347.5(381.4)	284.5(318.4)	252(285.9)	109	63	6	14	130	145	110	9	3.5	9	28	8	4	7	54

Note: The dimensions in parentheses are for servo motors with holding brakes.

Motor Connector Specification

- Receptacle; MB1RJN0601
- Plug; MB1CKN0600
- Cableclamp; MB3CG-S2



Pin No.	Signal
1	U
2	V
4	W
⊕	FG
5	B1
6	B2

Encoder Connector Specification

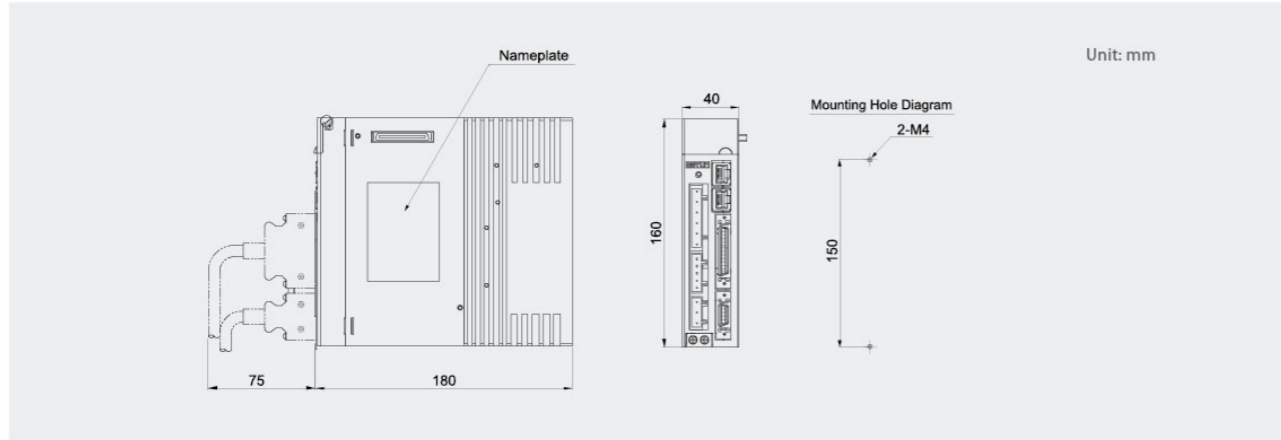
- Receptacle; MA1RAE1201
- Plug; MA1CAP1200
- Cableclamp; MA3CG-S1



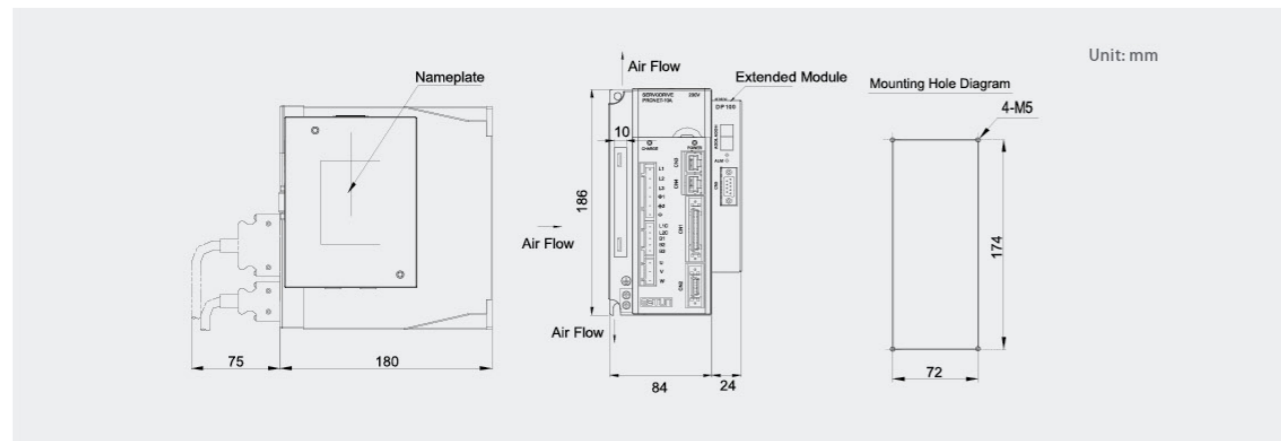
Pin No.	Signal
1	SD+
2	SD-
3	Vcc
4	Gnd
5	BAT+
6	BAT-
7	Sensor1
8	Sensor2
9	FG

Servo Drive

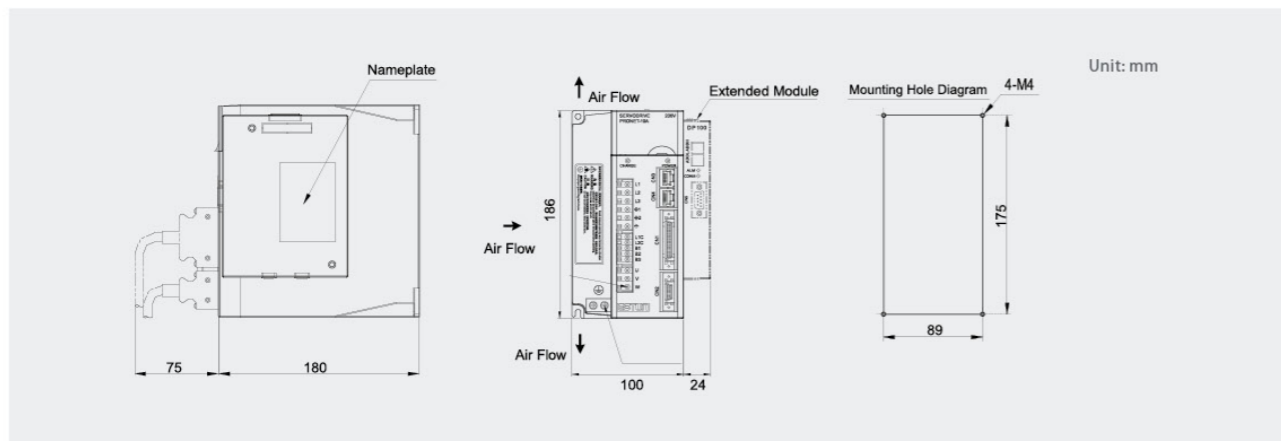
ProNet-A5A/01A/02A/02B/04A ProNet-E-A5A/01A/02A/02B/04A



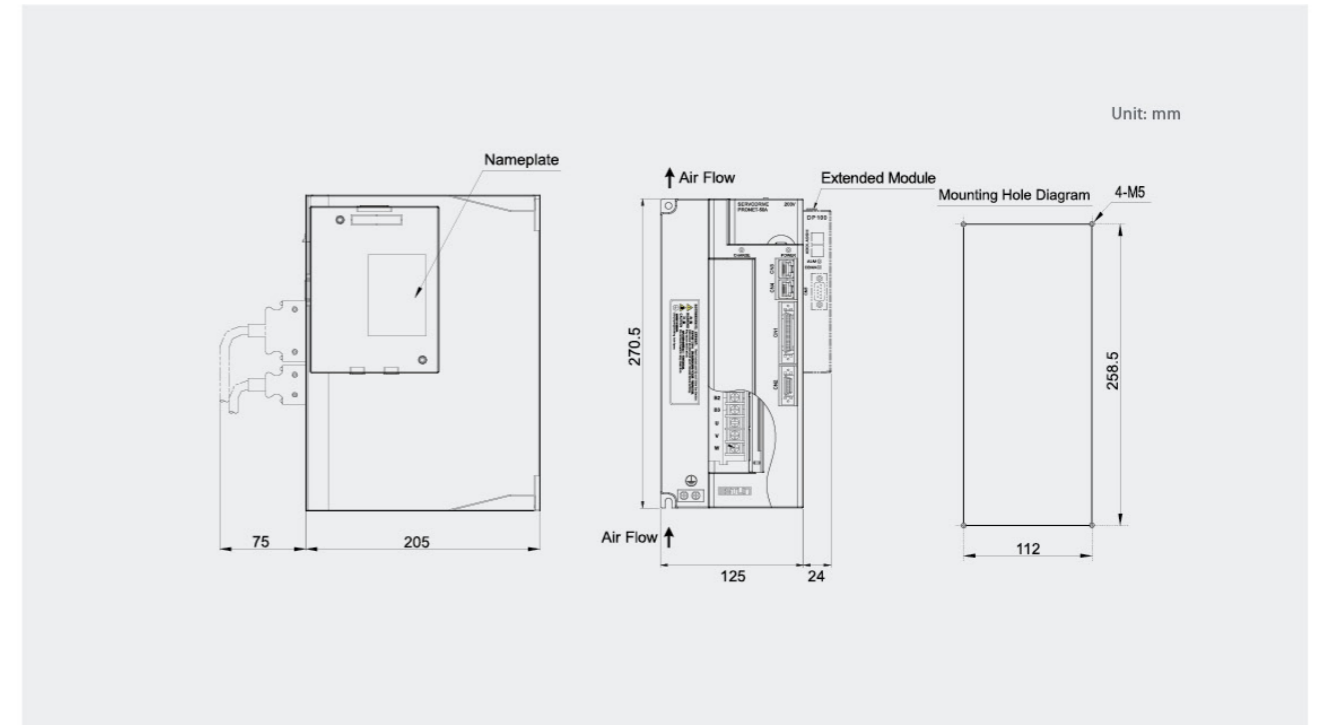
ProNet-04B/08A/10A ProNet-E-04B/08A/10A



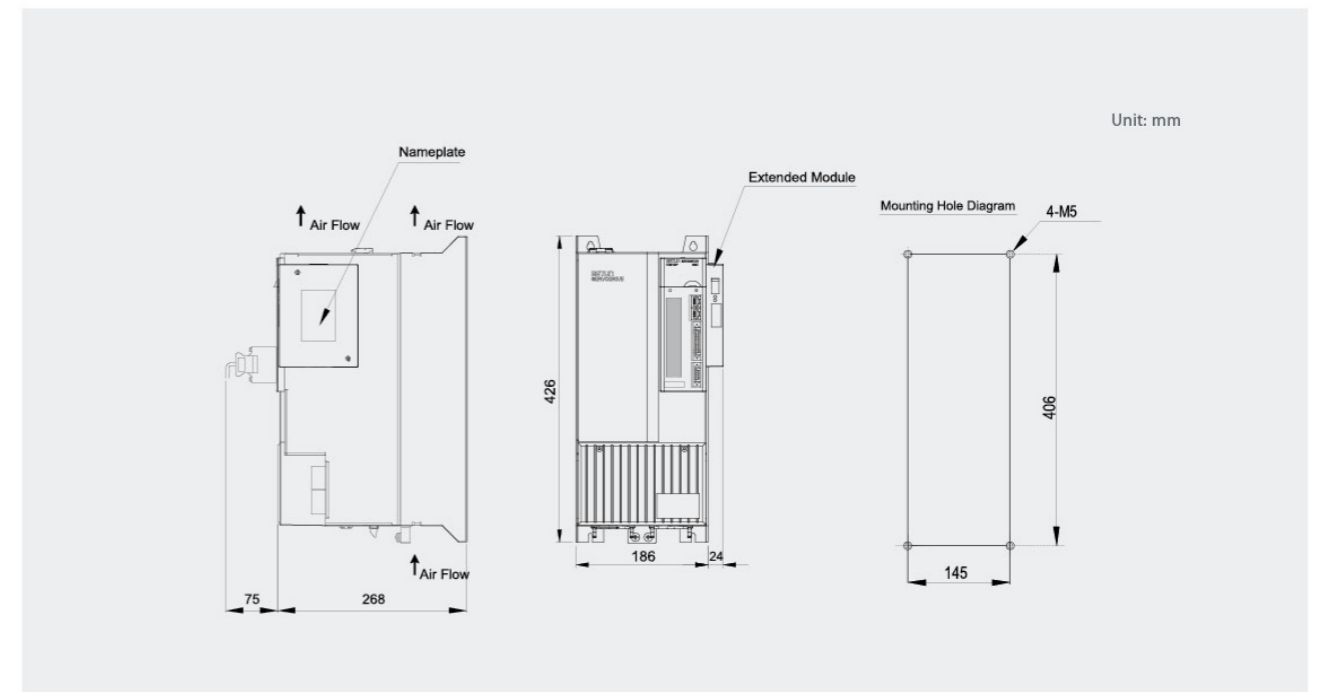
ProNet-08B/10D/15A/15D/20A/20D ProNet-E-08B/10D/15A/15D/20A/20D



ProNet-30A/30D/50A/50D/70D ProNet-E-30A/30D/50A/50D

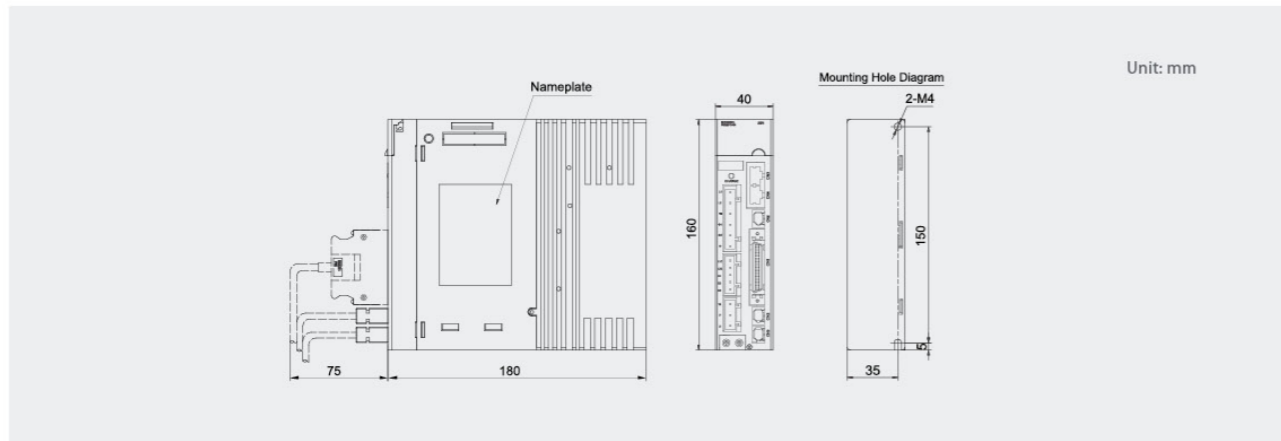


ProNet-75D/1AD/1ED/2BD

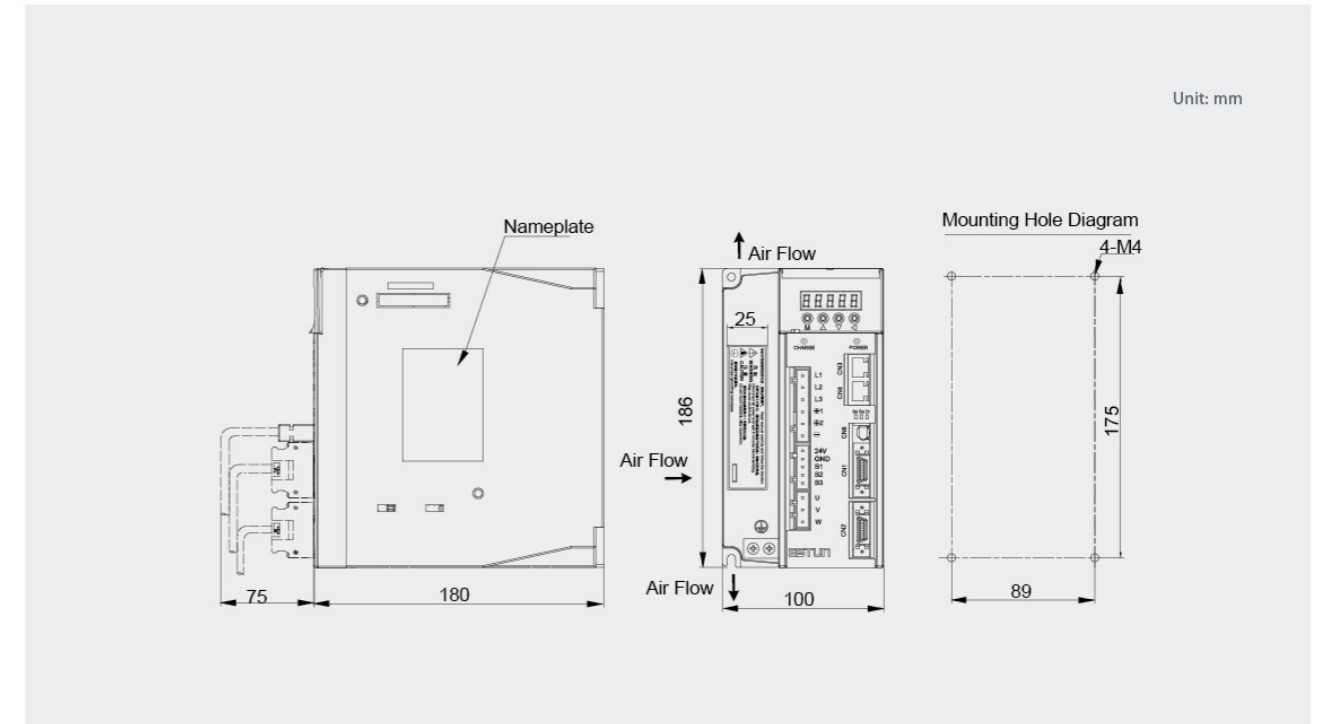


Note: ProNet-E does not support extended module.

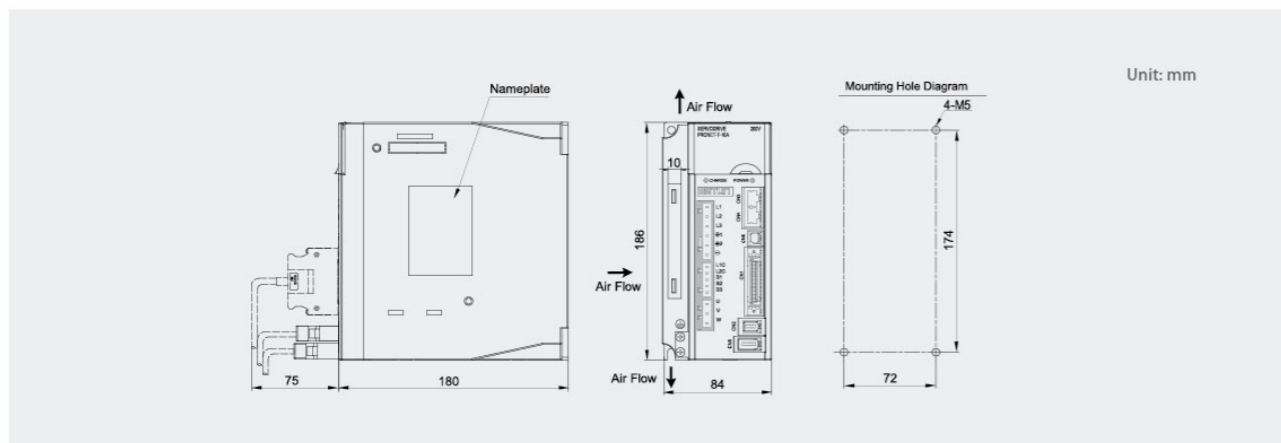
ProNet-02AU/04AU



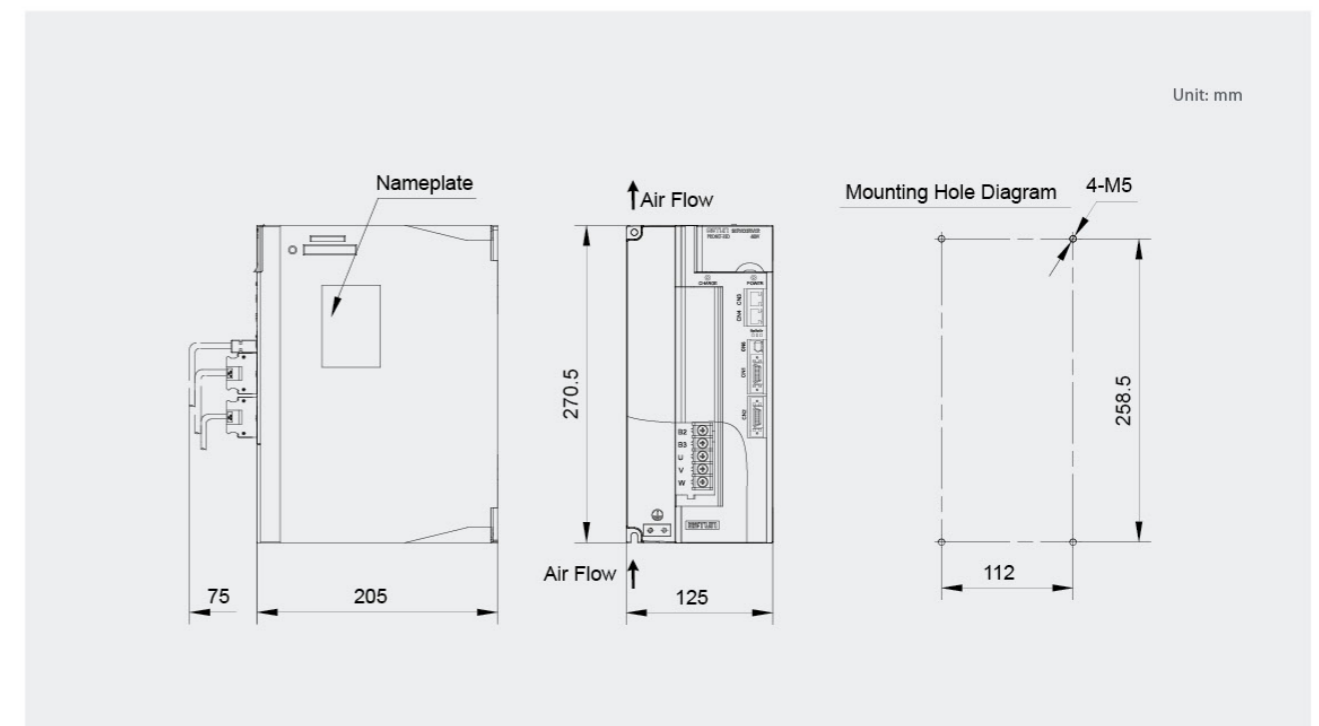
ProNet-02DU to 20DU



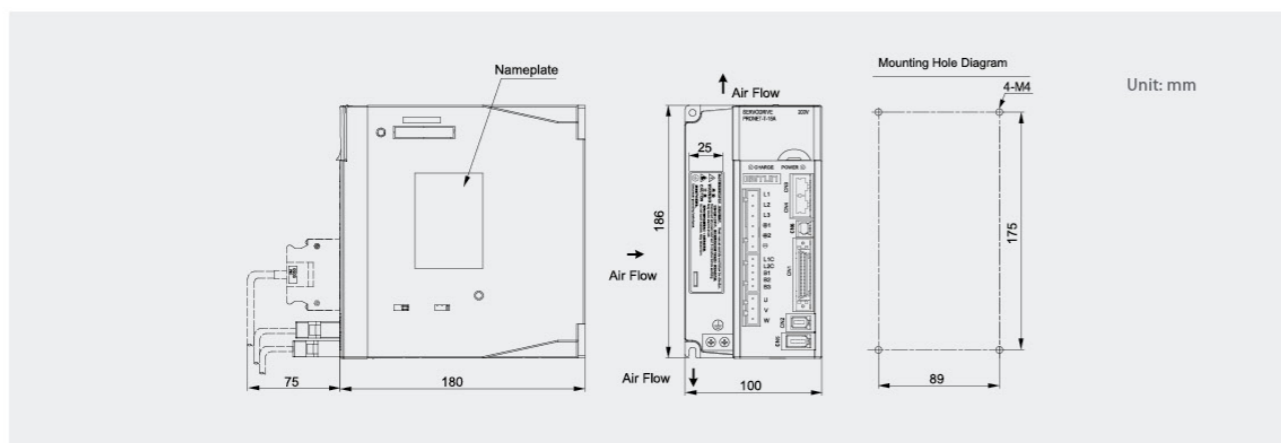
ProNet-08AU/10AU



ProNet-25DU/30DU/40DU/50DU



ProNet-15AU



Accessories

Selecting Cables

Name		Model	Specifications	
Connector Kit	CN1	EC-CN1-50		
	CN2	EC-CN2-20		
Communication Cables	CN3	PSC-CC24-XX		
Serial Encoder Cables	EMJ	PSP-JE24-XX		
		PAP-JE24-XX		
		PSP-JO24-XX		
	EMG-□□□□A□□ EMB EML	PSP-GA24-XX		
		PAP-GA24-XX		
	EMG-□□□□B□□	PSP-GA24-XX-II		
		PAP-GA24-XX-II		
	EMS-02AF□ EMS-04AF□	PSPT-EY24-XX		
	EMS-08AF□	PSPM-EY24-XX		
	EMS-10AF□ EMS-15AF□	PSPM-EG24-XX		
	EMS-02DF□ EMS-04DF□ EMS-08DF□	PSP-EY24-XX		
	EMS-10DF□ EMS-15DF□ EMS-20DF□ EMS-25DF□ EMS-30DF□ EMS-40DF□ EMS-50DF□	PSP-EG24-XX		
	Wire-saving Incremental Encoder Cables	EMJ	BMP-JE24-XX	
			BMP-JB24-XX	
PMP-JO24-XX				
EMG-□□□□A□□ EML		BMP-GA24-XX		
EMG-□□□□B□□	PMP-GA24-XX-II			
Resolver Cables	EMG EMB EML	PRP-BA24-XX		
	EMB for low inertia	PRP-BO24-XX		

Name	Model	Specifications
EMJ-A5A EMJ-01A EMJ-02A EMJ-02B EMJ-04A EMJ-04B EMJ-08A EMJ-10A	PDM-JO20-XX	
	PDM-JE18-XX	
	PDM-JB18-XX	
	PDM-JB16-XX	
EMJ-08B	PDM-JB16-XX	
EMG-10A□A□□ EMG-15A□A□□ EMG-10D EMG-15D EMG-20D EML-10	PDM-GA16-XX	
EMG-20A□A□□	PDM-GA14-XX(V100)	
EML-20	PDM-GD14-XX(V100)	
EMG-30A EMG-50A EMG-30D EMG-50D EML-30 EML-40	PDM-GD12-XX	
EMG-10A□B□□ EMG-15A□B□□ EMG-20A□B□□	PDMB-GA14-XX-II	
EMG-10A□B□□ EMG-15A□B□□	PDM-GA16-XX-II	
EMG-20A□B□□	PDM-GA14-XX-II	
EMS-02□F□□3 EMS-02□F□□4 EMS-04□F□□3 EMS-04□F□□4 EMS-08□F□□3 EMS-08□F□□4	PDMB-EY18-XX	
EMS-02□F□□1 EMS-02□F□□2 EMS-04□F□□1 EMS-04□F□□2 EMS-08□F□□1 EMS-08□F□□2	PDM-EY18-XX	
EMS-10□F□□3 EMS-10□F□□4 EMS-15□F□□3 EMS-15□F□□4 EMS-20DF□□3 EMS-20DF□□4 EMS-25DF□□3 EMS-25DF□□4	PDMB-EG18-XX	
EMS-10□F□□1 EMS-10□F□□2 EMS-15□F□□1 EMS-15□F□□2 EMS-20DF□□1 EMS-20DF□□2 EMS-25DF□□1 EMS-25DF□□2	PDM-EG18-XX	
EMS-30DF□□3 EMS-30DF□□4 EMS-40DF□□3 EMS-40DF□□4 EMS-50DF□□3 EMS-50DF□□4	PDMB-EG14-XX	
EMS-30DF□□1 EMS-30DF□□2 EMS-40DF□□1 EMS-40DF□□2 EMS-50DF□□1 EMS-50DF□□2	PDM-EG14-XX	

Selecting Peripheral Devices

Servo Drive (ProNet)	Servo Drive (ProNet-E)	Servo Drive (ProNet-□□□U)	Main Circuit Voltage	Specifications for Internal Regenerative Resistor	Min. Allowable Resistance	Min. Rated Input Current for Three-phase Filters	Min. Rated Current for Circuit Breaker
ProNet-A5A	ProNet-E-A5A	—	200-230VAC	50Ω/60W External connection	25Ω	—	5A
ProNet-01A	ProNet-E-01A	—	200-230VAC	50Ω/60W External connection	25Ω	—	5A
ProNet-02A	ProNet-E-02A	ProNet-02AU	200-230VAC	50Ω/60W External connection	25Ω	—	10A
ProNet-02B	ProNet-E-02B	—	100-120VAC	50Ω/60W External connection	25Ω	—	10A
ProNet-04A	ProNet-E-04A	ProNet-04AU	200-230VAC	50Ω/60W External connection	25Ω	—	10A
ProNet-04B	ProNet-E-04B	—	100-120VAC	50Ω/60W	25Ω	—	25A
ProNet-08A	ProNet-E-08A	ProNet-08AU	200-230VAC	50Ω/60W	25Ω	—	25A
ProNet-08B	ProNet-E-08B	—	100-120VAC	40Ω/80W	25Ω	—	35A
ProNet-10A	ProNet-E-10A	ProNet-10AU	200-230VAC	50Ω/60W	25Ω	—	25A
ProNet-15A	ProNet-E-15A	ProNet-15AU	200-230VAC	40Ω/80W	25Ω	—	35A
ProNet-20A	ProNet-E-20A	—	200-230VAC	40Ω/80W	25Ω	—	55A
ProNet-30A	ProNet-E-30A	—	200-230VAC	10Ω/300W	10Ω	27A	70A
ProNet-50A	ProNet-E-50A	—	200-230VAC	10Ω/300W	10Ω	42A	100A
—	—	ProNet-02DU	380-440VAC	200Ω/80W	50Ω	—	5A
—	—	ProNet-04DU	380-440VAC	200Ω/80W	50Ω	—	10A
—	—	ProNet-08DU	380-440VAC	200Ω/80W	50Ω	—	10A
ProNet-10D	ProNet-E-10D	ProNet-10DU	380-440VAC	200Ω/80W	50Ω	—	12A
ProNet-15D	ProNet-E-15D	ProNet-15DU	380-440VAC	200Ω/80W	50Ω	—	20A
ProNet-20D	ProNet-E-20D	ProNet-20DU	380-440VAC	200Ω/80W	40Ω	—	24A
—	—	ProNet-25DU	380-440VAC	40Ω/300W	35Ω	14A	33A
ProNet-30D	ProNet-E-30D	—	380-440VAC	40Ω/300W	35Ω	14A	33A

Servo Drive (ProNet)	Servo Drive (ProNet-E)	Servo Drive (ProNet-□□□U)	Main Circuit Voltage	Specifications for Internal Regenerative Resistor	Min. Allowable Resistance	Min. Rated Input Current for Three-phase Filters	Min. Rated Current for Circuit Breaker
—	—	ProNet-40DU	380-440VAC	40Ω/300W	20Ω	23A	55A
ProNet-50D	ProNet-E-50D	—	380-440VAC	40Ω/300W	20Ω	23A	55A
ProNet-70D	—	—	380-440VAC	40Ω/300W	20Ω	27A	60A
ProNet-75D	—	—	380-440VAC	40Ω/300W	20Ω	27A	60A
ProNet-1AD	—	—	380-440VAC	20Ω/1.5KW External connection	17Ω	42A	80A
ProNet-1ED	—	—	380-440VAC	15Ω/1.5KW External connection	12Ω	57A	120A
ProNet-2BD	—	—	380-440VAC	10Ω/3KW =2×20Ω/1.5KW External parallel connection	8Ω	82A	160A



ESTUN
Drive Your Success!

Mission — We are offering Accuracy & Efficiency!

Vision — Enjoy your life from Automation!

Values — Focus, Integrity, Growing together!

ESTUN AUTOMATION TECHNOLOGY CO.,LTD

ADD: 16 Shuige Road, Jiangning Development Zone,
Nanjing 211106, P.R.China

TEL: +86-25-58328505/8507

FAX: +86-25-58328504

<http://www.estun.com>
E-mail: export@estun.com

Local sales dealer:



Version: ProNet-1606
Specifications subject to change without notice.